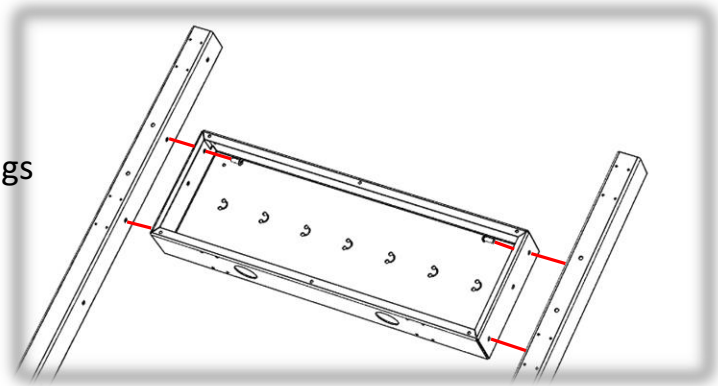


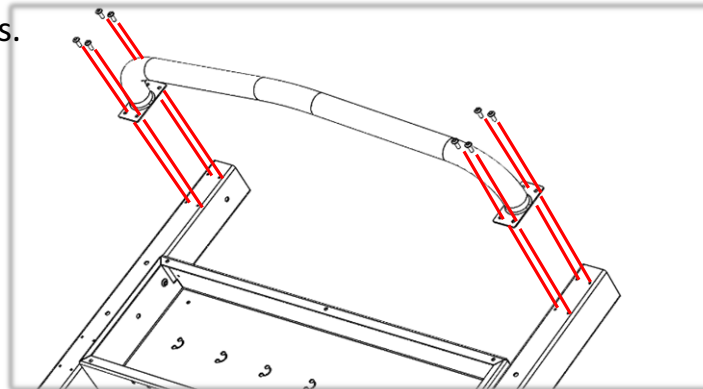
Multi Position Fixed Height - Trolley Mount 8996

- Max Capacity 100kg -Screens upto 86in

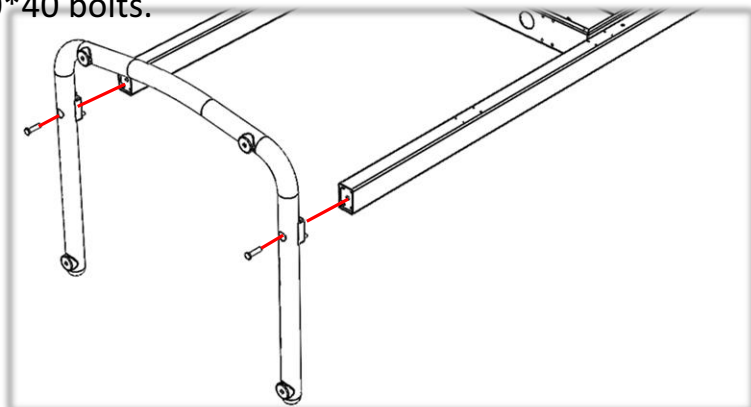
1. Bolt the legs to the head box as shown using four M8 bolts. The head box may be bolted to the legs in several different positions depending on user preference.



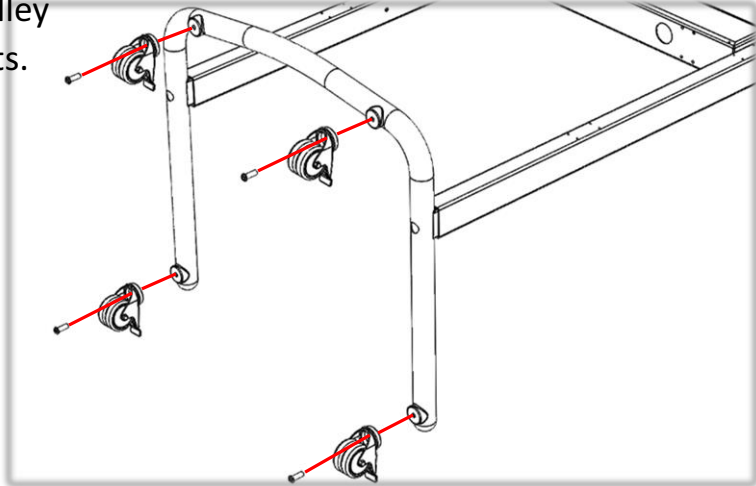
2. Secure the handle using eight M5*16 bolts.



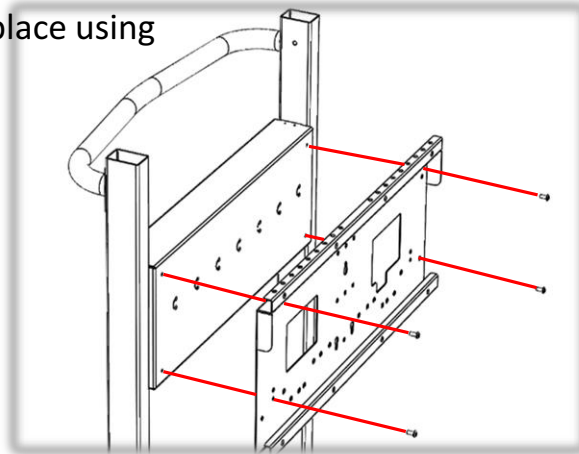
3. Before pushing the trolley base onto the legs apply thread lock. Then bolt the base in place using two M10*40 bolts.



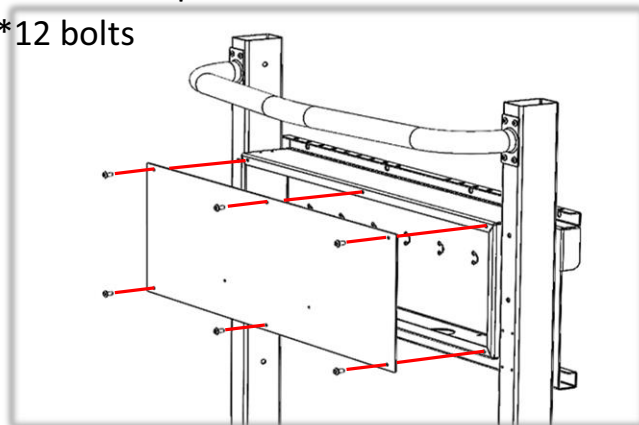
4. Attach the casters to the trolley base using four M10*30 bolts.



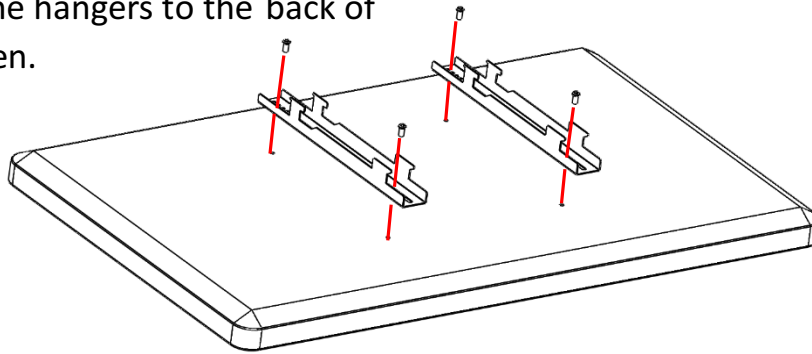
5. Bolt the mount plate in place using four M6*16 bolts.



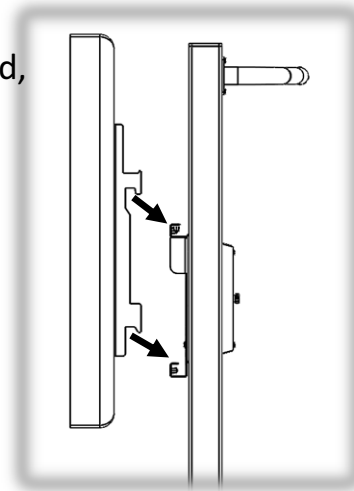
6. Secure the rear cover in place using six M6*12 bolts



7. Attach the hangers to the back of the screen.



8. Make sure the casters on the base are locked, then hook the screen onto the mount plate.



9. Secure the screen in place using the two clips and two M6*50mm bolts with washers.

