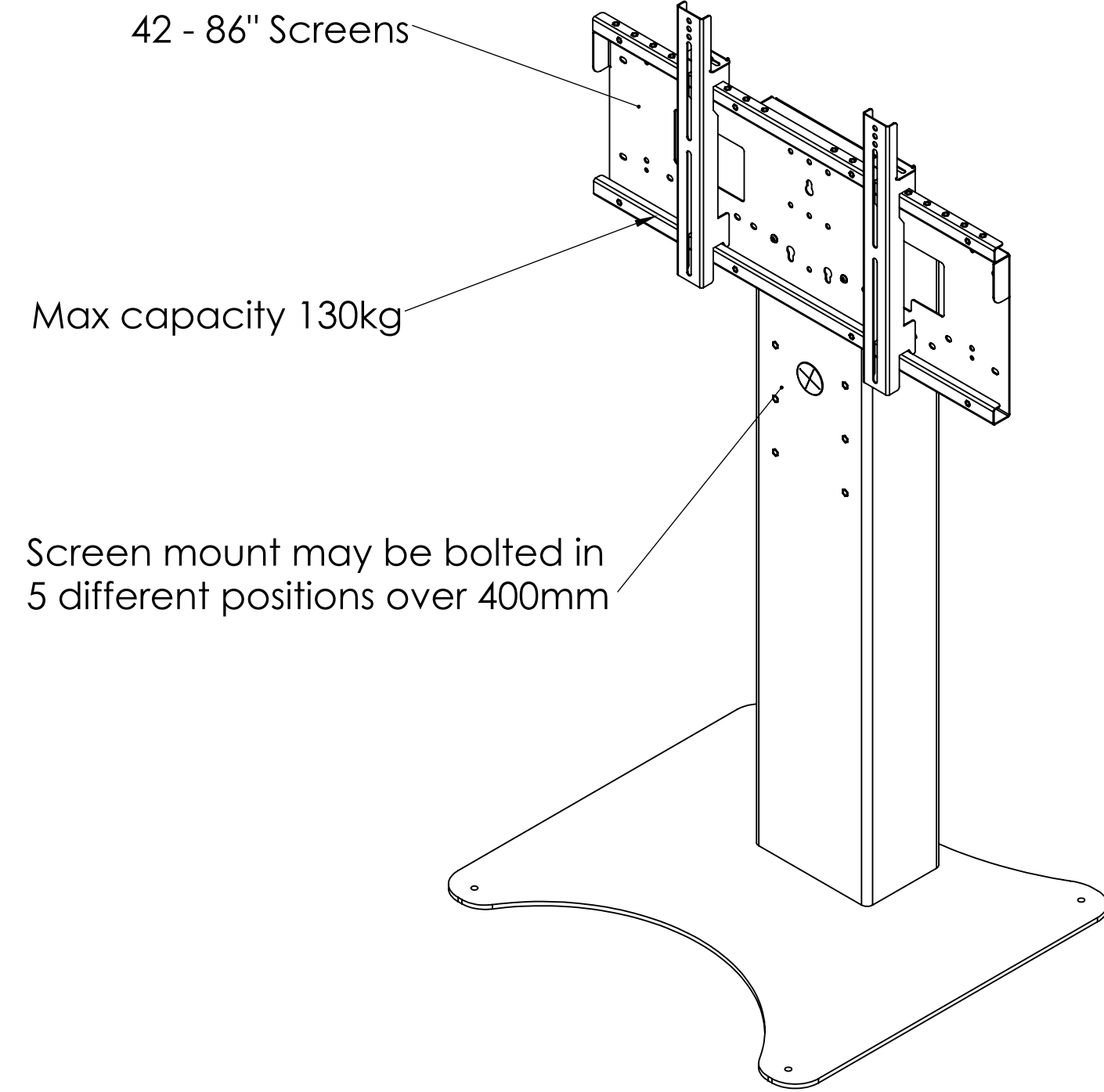
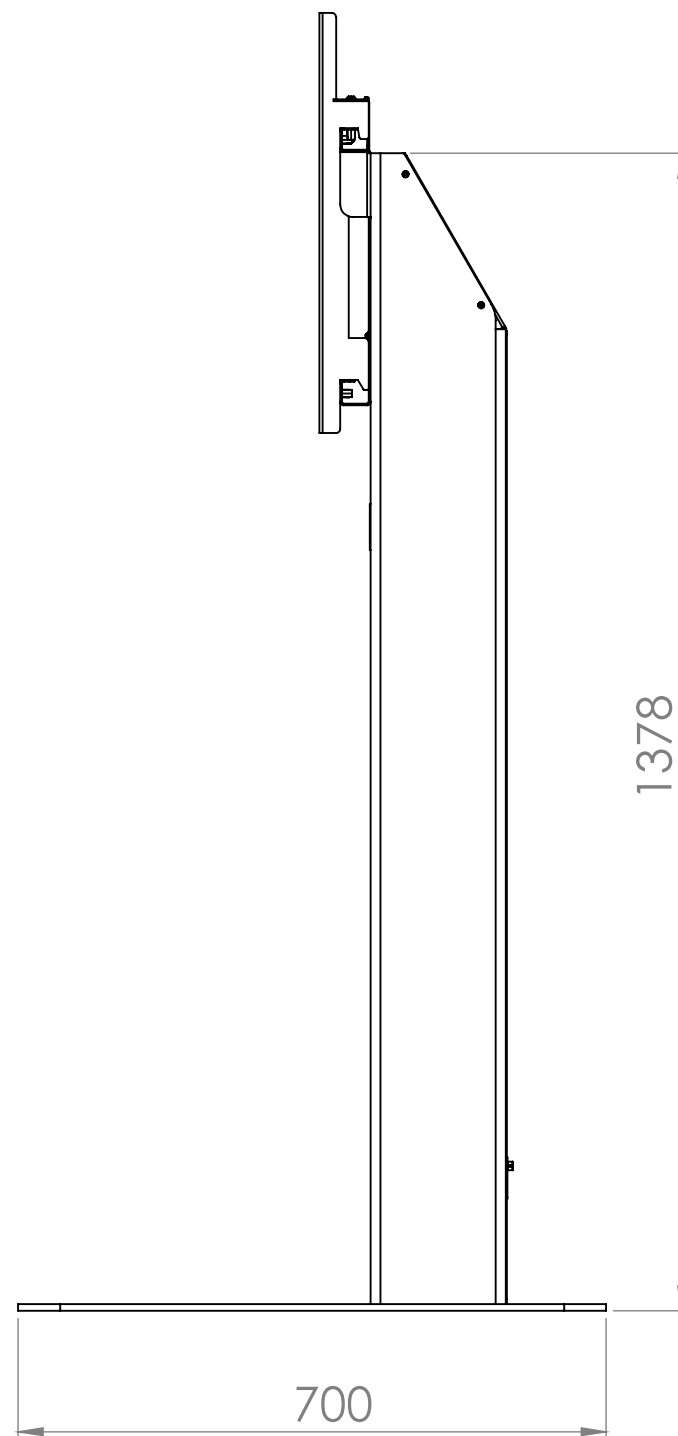
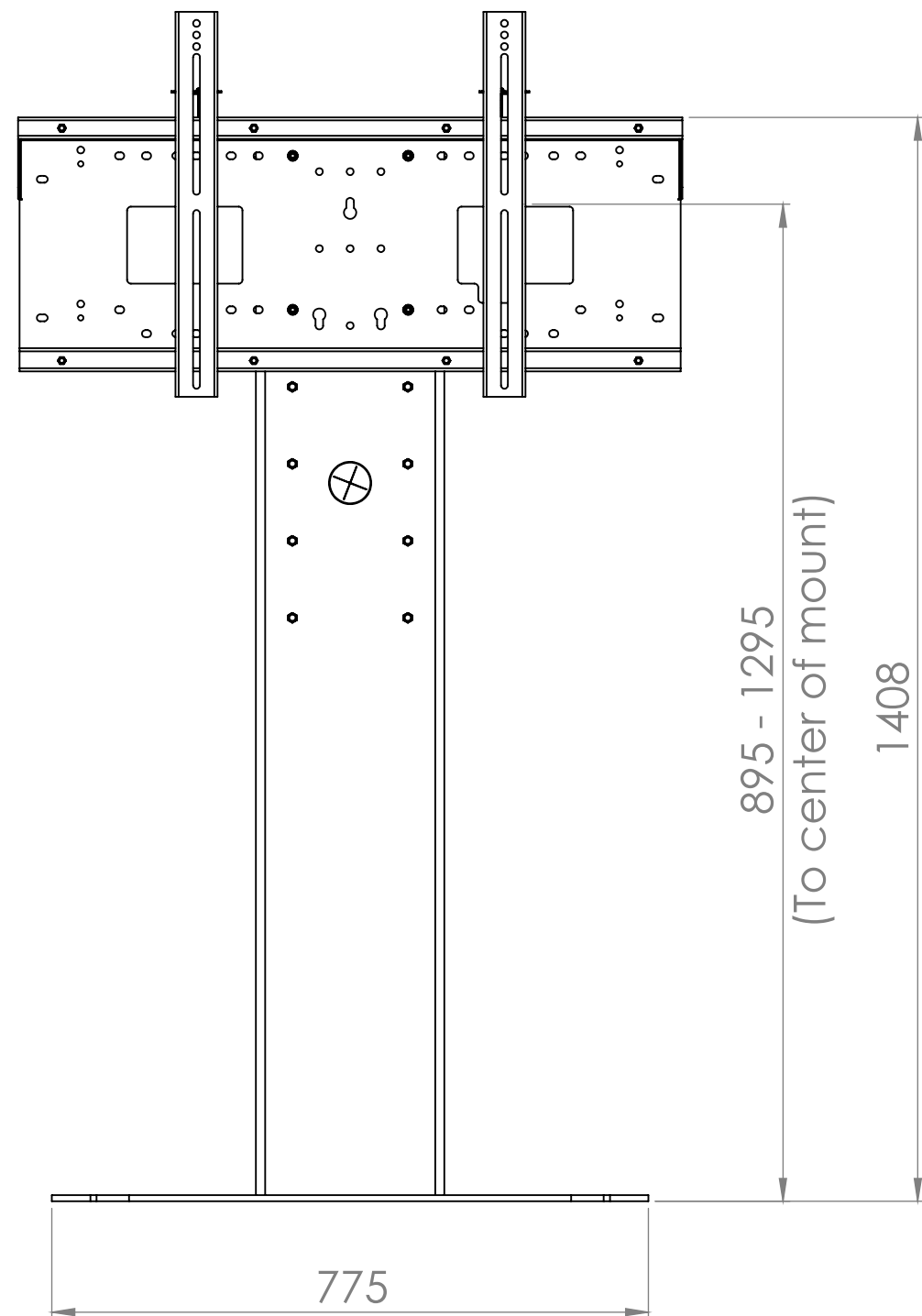
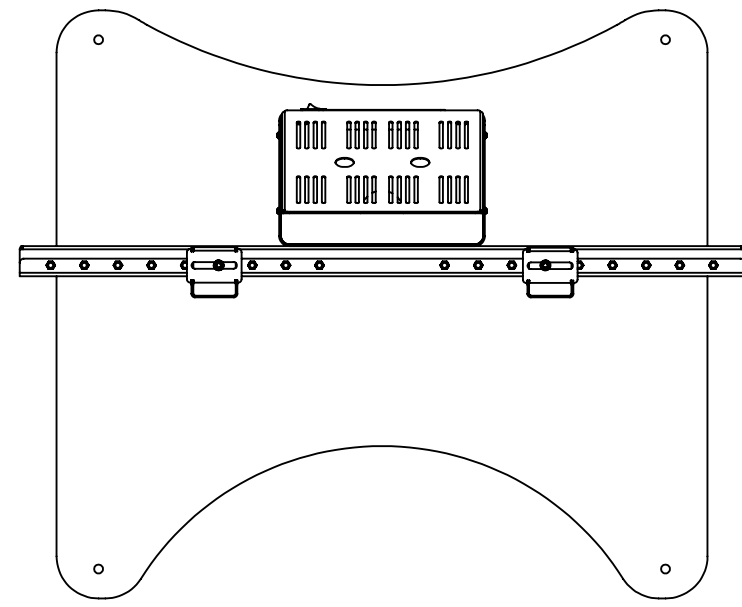


Fixed Height Mono Free Standing - 8428



Max capacity 130kg

Screen mount may be bolted in 5 different positions over 400mm



LOXIT
PRODUCTS

Go Education Limited
Education House
1 Liberty Centre
Mount Pleasant
Wembley
Middlesex
HA0 1TX
t: +44 (0) 20 8795 3882
w: www.goeducation.co.uk

The copyright of this drawing is retained by Loxit limited
This drawing may not be reproduced without prior written permission of Loxit limited

*Dimensions given to a tolerance of +5mm