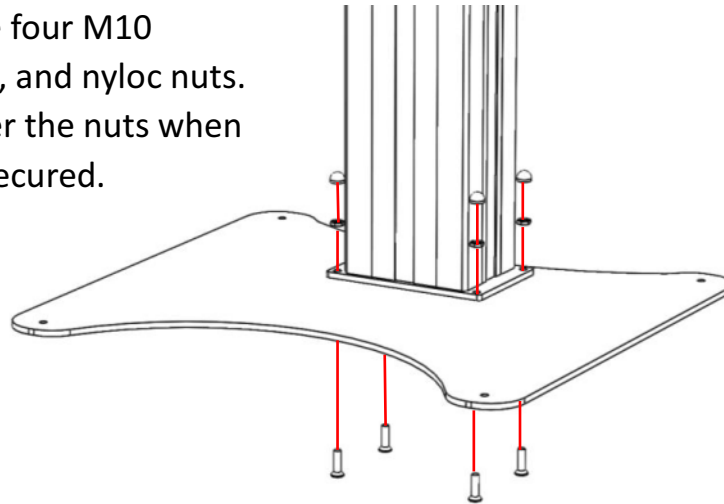


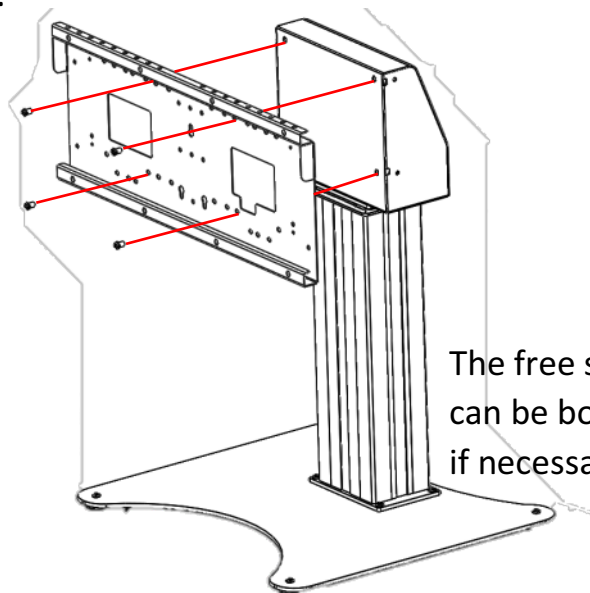
## Hi Lo Mono 500 -Free Standing 8425

**-Max capacity 130kg -Screens upto 86"**

1. Bolt the lift column and head box to the base using the four M10 countersunk bolts, and nyloc nuts. Press the caps over the nuts when once the base is secured.

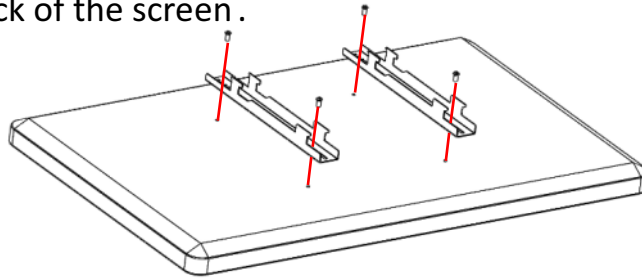


2. Secure the mount to the head box using four M8 bolts.

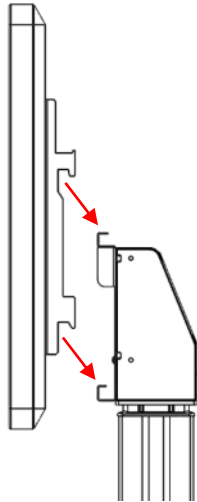


The free standing base can be bolted to the floor if necessary.

3. Attach the brackets to the back of the screen .



4. Hook the screen on to the mount rail.



5. Secure the screen in place using the clips and two M6\*50mm bolts

