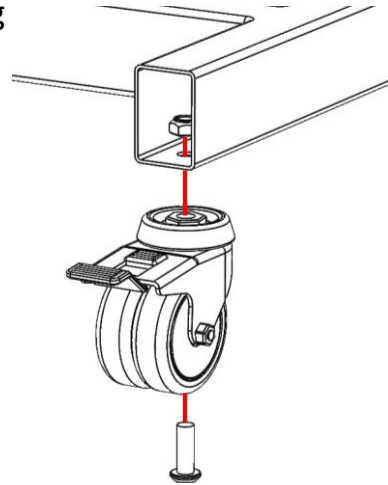


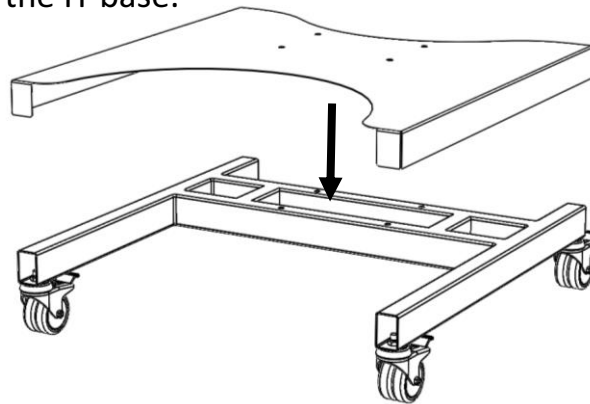
Mono Fixed Height - Trolley 8423

- Max load 130kg - Screens upto 86"

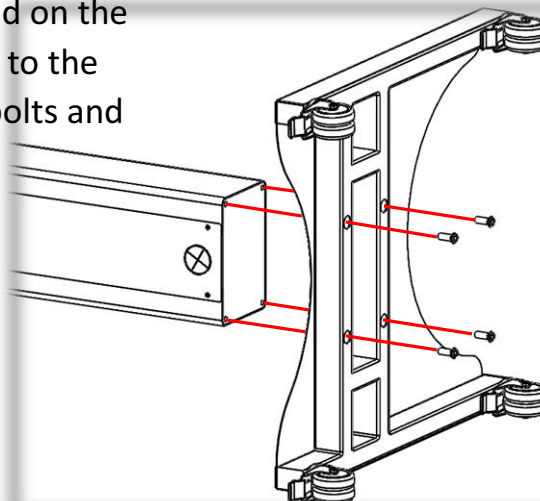
1. Secure the casters in place as shown using M10*30mm bolts and a nyloc nut.



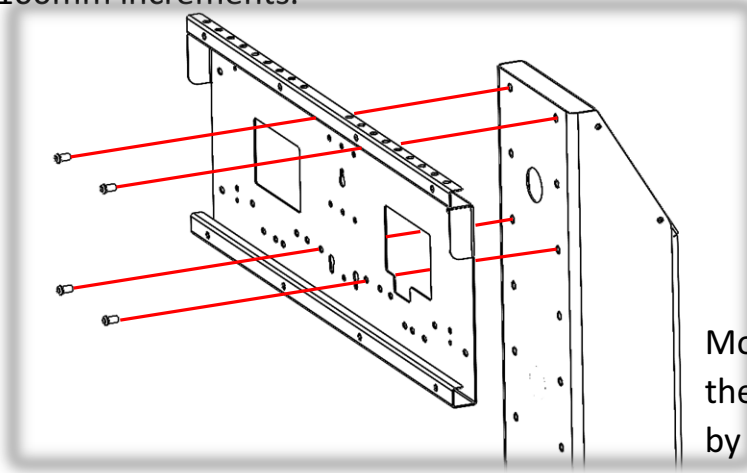
2. Lower the cover onto the H-base.



3. Put thread locking compound on the threads in the column and on the bolts. Then bolt the base to the column using four M10 bolts and tighten using the T bar.

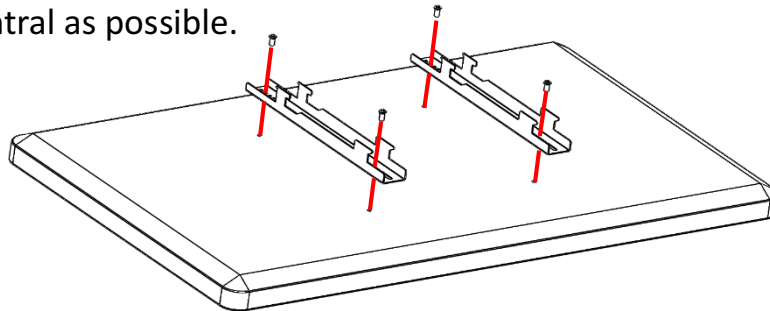


- Secure the mount in place using four M8*20mm bolts, the mount can be bolted in 5 different positions and offers 400mm of height adjustment in 100mm increments.

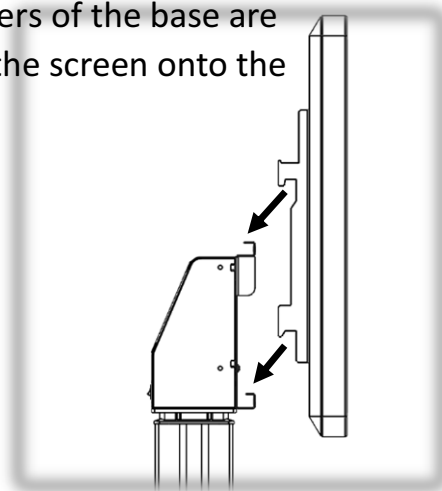


Move the cable grommet to the hole which is not blocked by the mount.

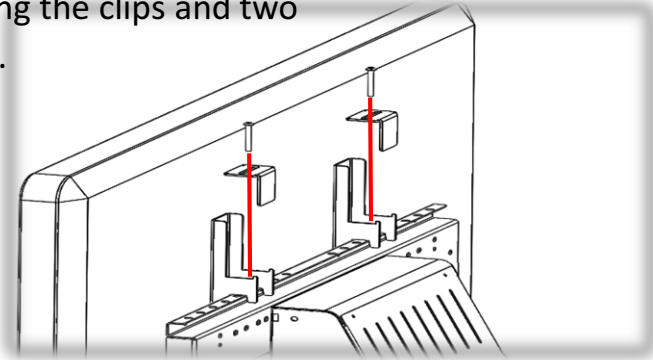
- Attach the brackets to the back of the screen, make sure the brackets are as central as possible.



- Make sure the casters of the base are locked, then hook the screen onto the mount rail.



7. Secure the screen in place using the clips and two M6*50mm bolts and washers.



8. Unscrew the four M4 bolts and remove the rear cover. Pass power cables for the screen through the grommet on the front of the column and plug them into the 4 way power strip. Once cabling is complete bolt the cover back in place.

