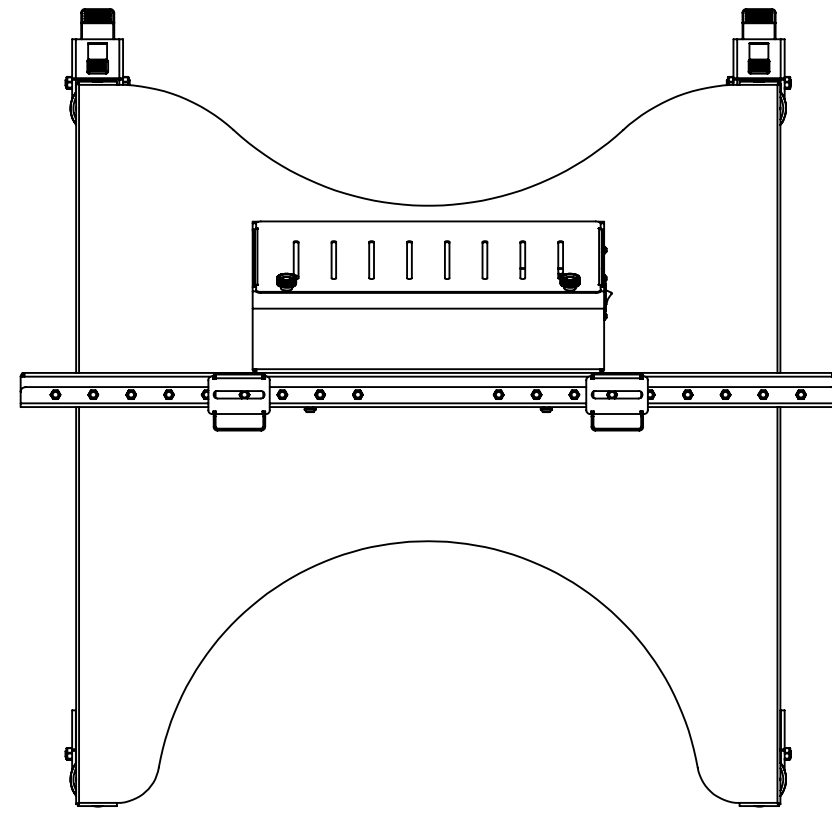


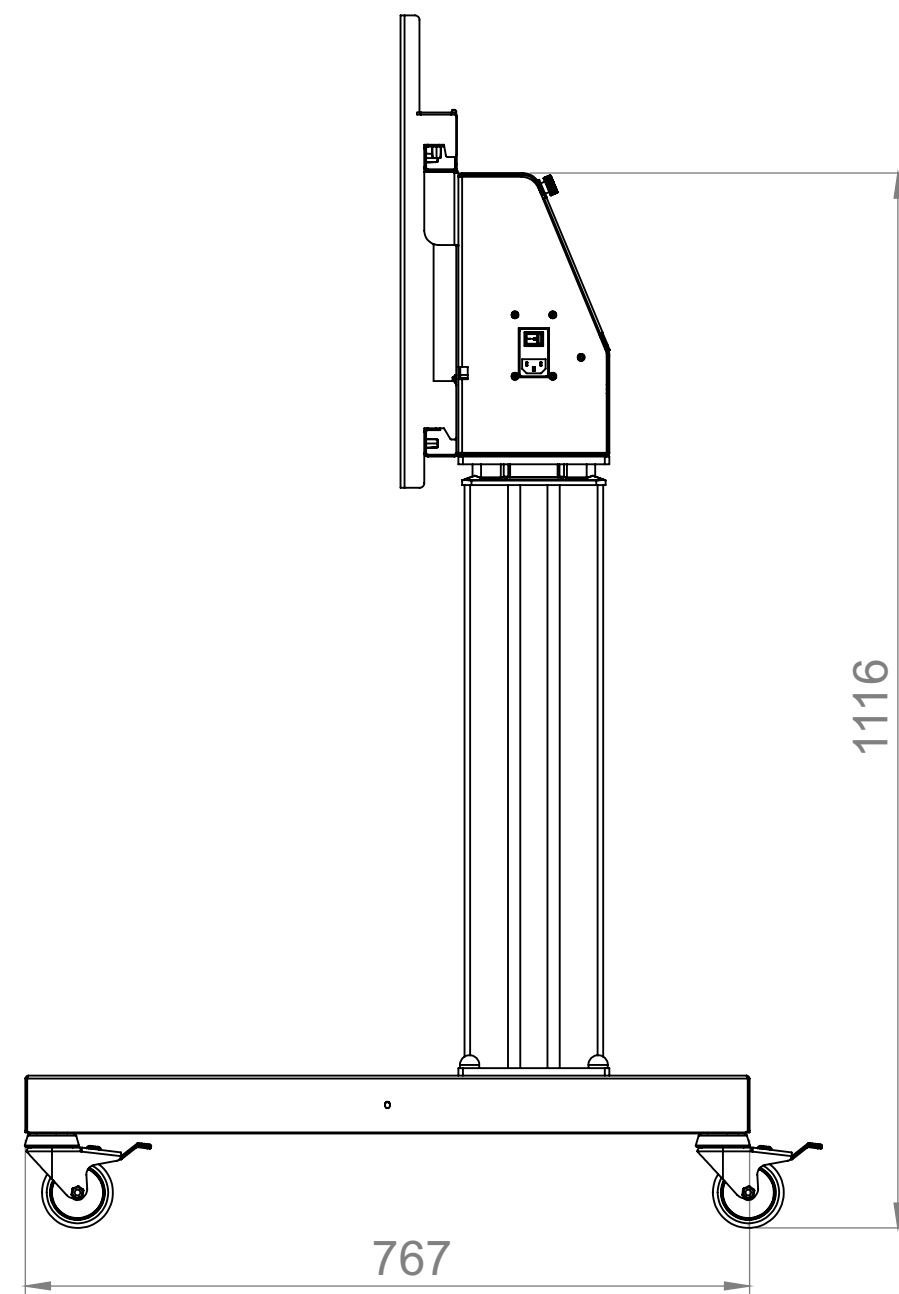
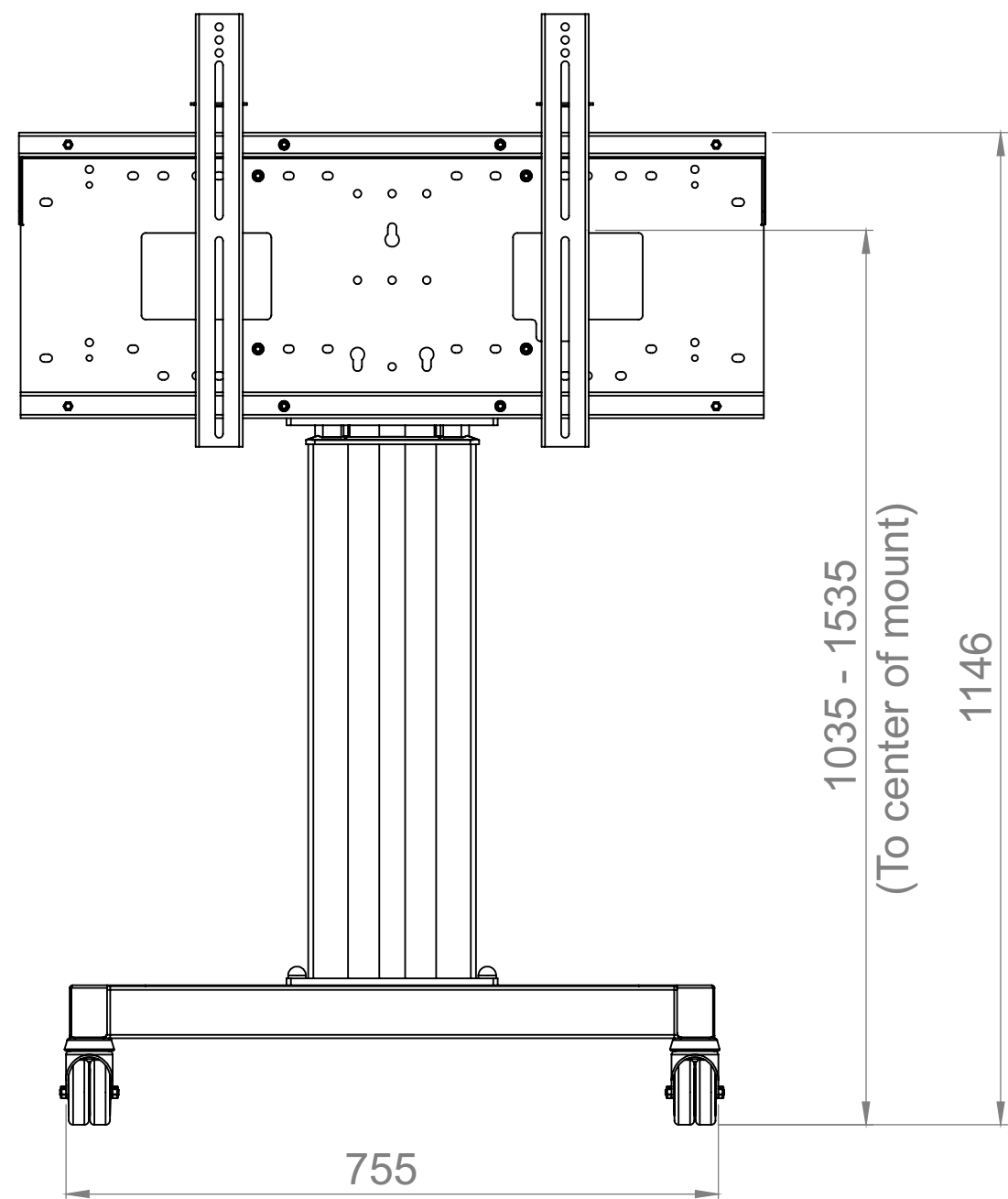
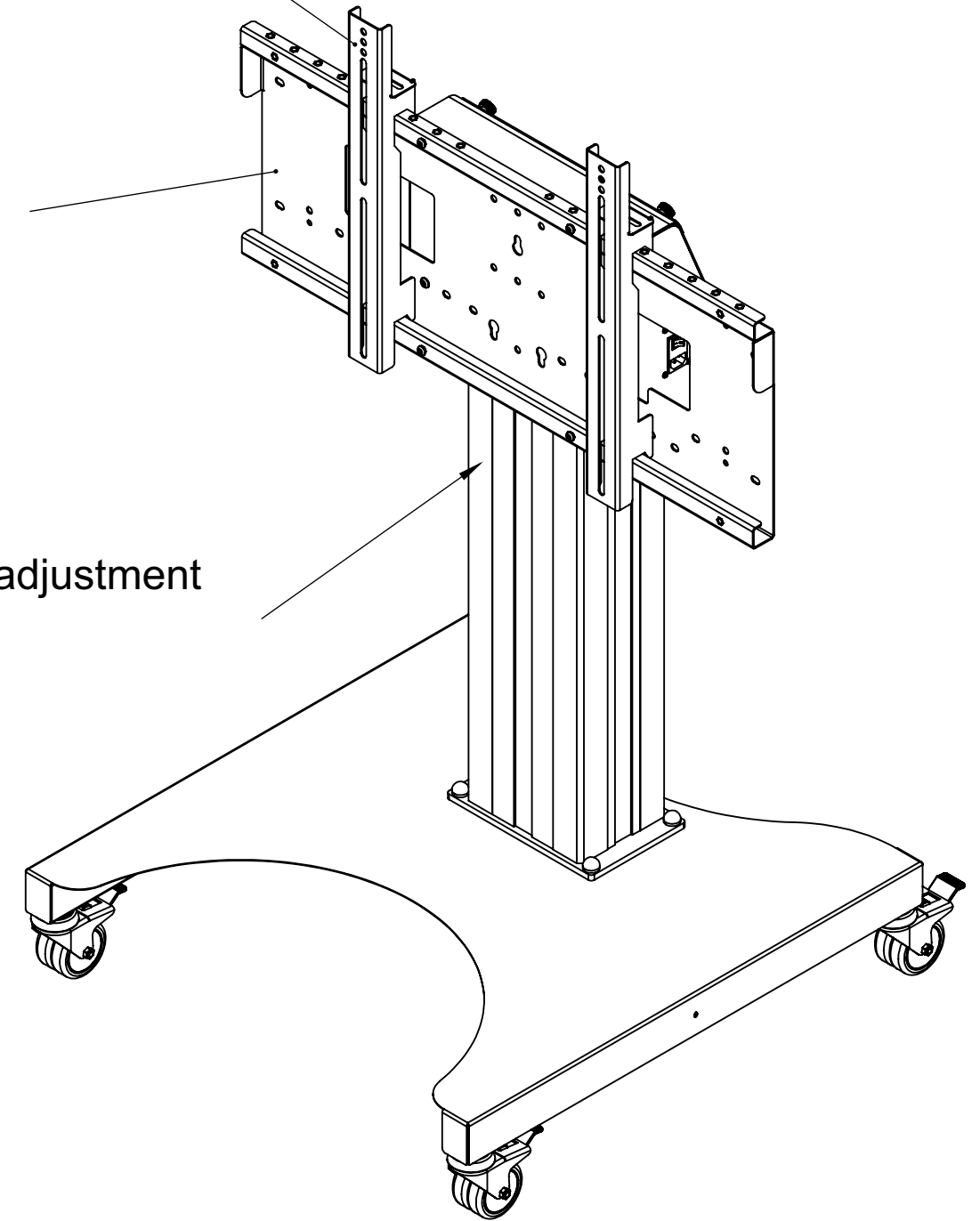
Hi-Lo Mono 500 LED/LCD Trolley Mount - 8420



42 - 86" Screens

Max capacity 130kg

500mm Electric height adjustment  
(1035 - 1535mm)



**LOXKIT**  
PRODUCTS

**Go Education Limited**  
Education House  
1 Liberty Centre  
Mount Pleasant  
Wembley  
Middlesex  
Ha0 1TX  
t: +44 (0) 20 8795 3882  
w: [www.goeducation.co.uk](http://www.goeducation.co.uk)

The copyright of this drawing is retained by Loxit limited  
This drawing may not be reproduced without prior written permission of Loxit limited

\*Dimensions given to a tolerance of +-5mm