

Hi Lo Mono 500/600- Trolley 8420 and 8421

-Lift capacity 130kg -Screens upto 86"

WARNING ! THIS IS NOT A TOY !

WARNING ! CHILDREN SHOULD NOT OPERATE LIFT OR HAVE ACCESS TO THE OPTIONAL REMOTE CONTROL !

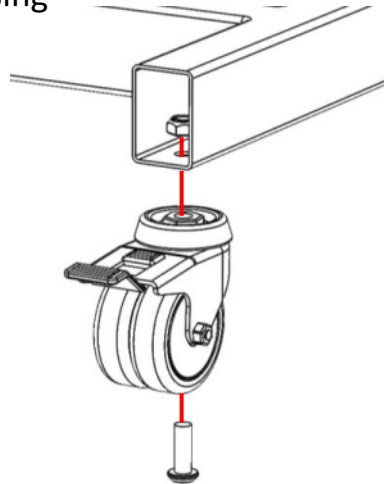
WARNING ! THE LIFT MUST BE IN THE LOWEST POSITION WHEN MOVING IT AROUND!

Safety instructions

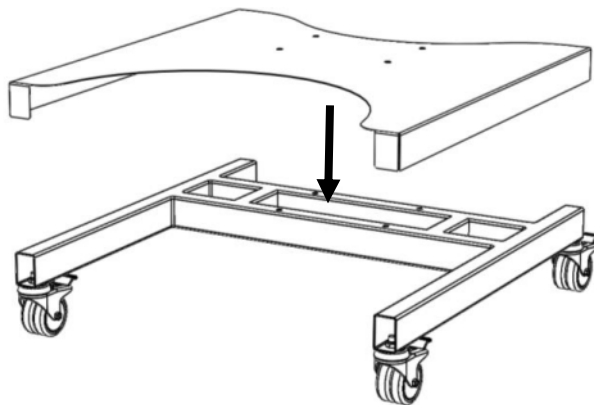
Use the following safety guidelines to help protect your lift from potential damage and to ensure your own personal safety.

- Read all the installation instructions before testing or installing your lift.
- Read and follow all safety instructions.
- Keep the optional remote control out of reach of children.
- To prevent bodily injury, keep hands and clothing away from the lift while the lift is in operation.
- Before installing the lift or working with its connections, unplug the lift from the mains power supply socket
- Do not place the lift in places subject to extreme temperatures for example near a radiator, or heating vent.
- The Electric lift must only be mounted in a dry area and it must be ensured before use that the lift is safe or protected from liquid contact or spillage.
- Unplug the lift IMMEDIATELY in the following conditions:
 - When the power cord or plug is damaged or frayed.
 - If liquid has spilled into the lift.
 - If the lift has been exposed to rain or water.
 - If the lift exhibits a distinct change in performance, indicating a need for servicing.
- MANUFACTURERS who build this Lift into other products or use it with other products, MUST make sure to prevent bodily injury. The MANUFACTURER is responsible to give the end user proper warnings and instructions for use.
- When adding a TV or any other equipment the party adding this TV or equipment is responsible for stability and security.
- The lift should only be used on a flat floor area

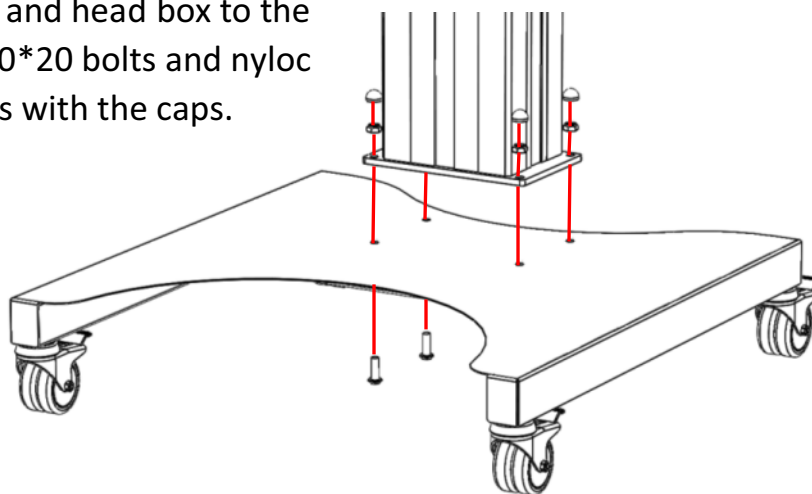
1. Secure the casters in place as shown using M10*30mm bolts and a nylock nut.



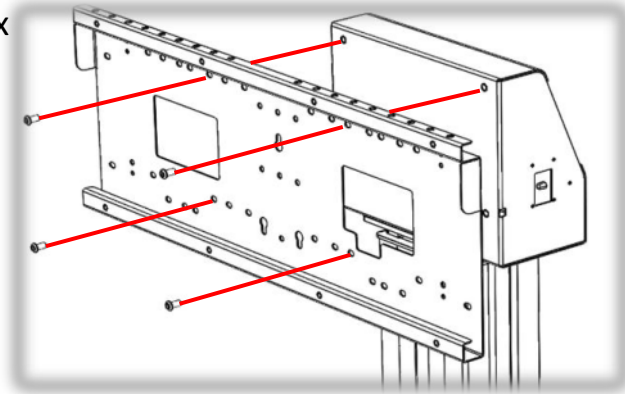
2. Lower the cover onto the H-base.



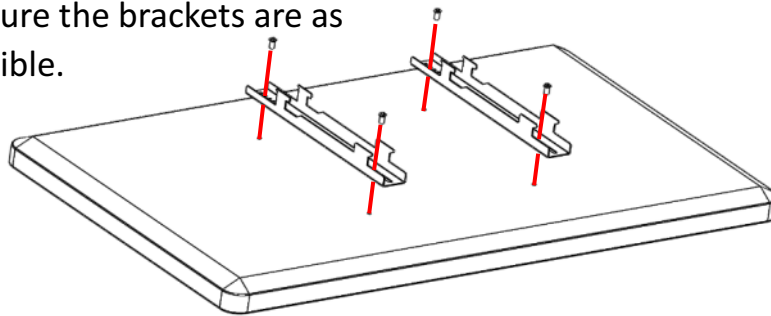
3. Bolt the lift column and head box to the base using four M10*20 bolts and nyloc nuts. Cover the nuts with the caps.



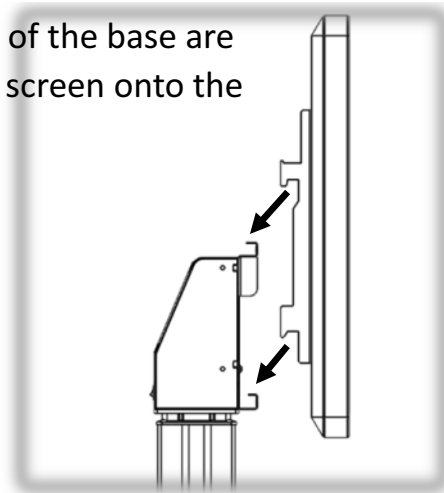
4. Secure the mount to the headbox using four M8 bolts.



5. Attach the brackets to the back of the screen, make sure the brackets are as central as possible.



6. Make sure the casters of the base are locked, then hook the screen onto the mount rail.



7. Secure the screen in place using the clips and two M6*50mm bolts.

