

Heavy Duty Mono 500/600 – Wall mount 8410 and 8411

-Lift Capacity 170kg -Screens 75 to 105"

WARNING ! THIS IS NOT A TOY !

WARNING ! CHILDREN SHOULD NOT OPERATE LIFT OR HAVE ACCESS TO THE OPTIONAL REMOTE CONTROL !

Safety instructions

Use the following safety guidelines to help protect your lift from potential damage and to ensure your own personal safety.

- Read all the installation instructions before testing or installing your lift.
- The area below moving parts of the lift and screen MUST be kept clear of obstructions.
- To prevent bodily injury, keep hands and clothing away from the lift while the lift is in operation.
- Before installing the lift or working with its connections, unplug the lift from the mains power supply socket.
- Do not place the lift in places subject to extreme temperatures for example near a radiator, or heating vent.
- The Electric lift must only be mounted in a dry area and it must be ensured before use that the lift is safe or protected from liquid contact or spillage.
- Unplug the lift IMMEDIATELY in the following conditions:
 - When the power cord or plug is damaged or frayed.
 - If liquid has spilled into the lift.
 - If the lift has been exposed to rain or water.
 - If the lift exhibits a distinct change in performance, indicating a need for servicing.
- MANUFACTURERS who build this Lift into other products or use it with other products, MUST make sure to prevent bodily injury. The MANUFACTURER is responsible to give the end user proper warnings and instructions for use.
- When adding a TV or any other equipment the party adding this TV or equipment is responsible for stability and security.
- The lift should only be used on a flat floor area.

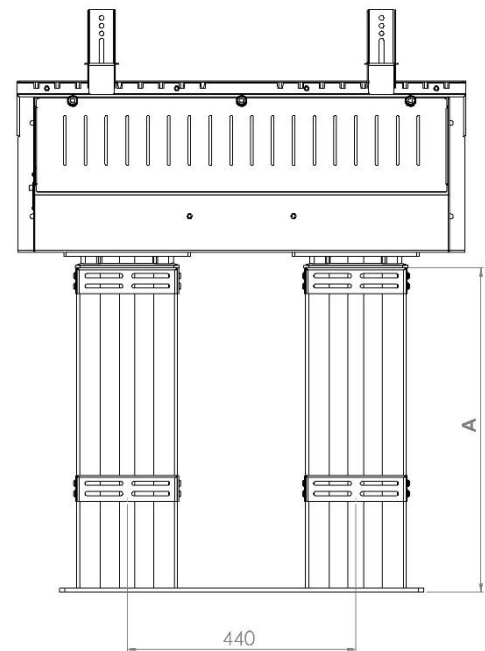
1. Fix the brackets to the wall where the heavy-duty lift is to be mounted. Dimension A shown in the diagram is the distance to the top of the upper mount bracket. The bracket should sit just below the collar of the lifting column. Check that the floor where the lift is to be situated is flat.

Dimension A

(Distance to top of highest mount bracket)

Mono 500 A = 620mm

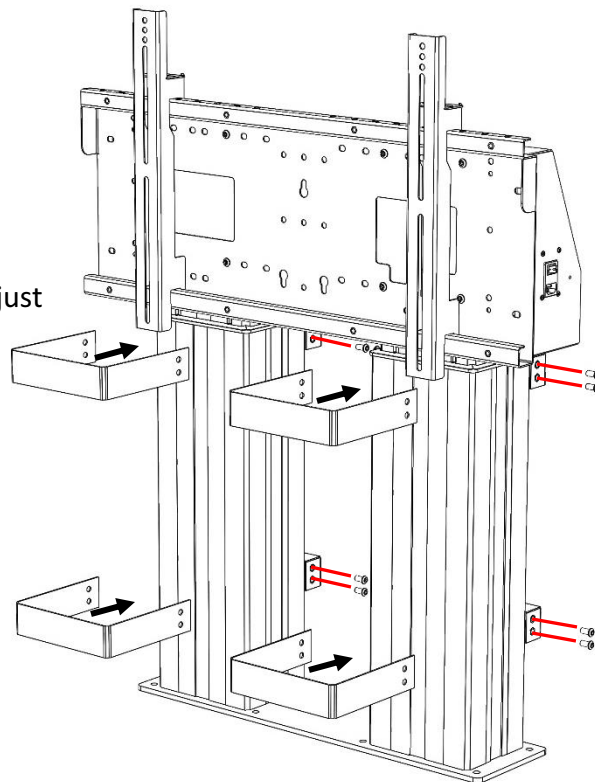
Mono 600 A = 880mm



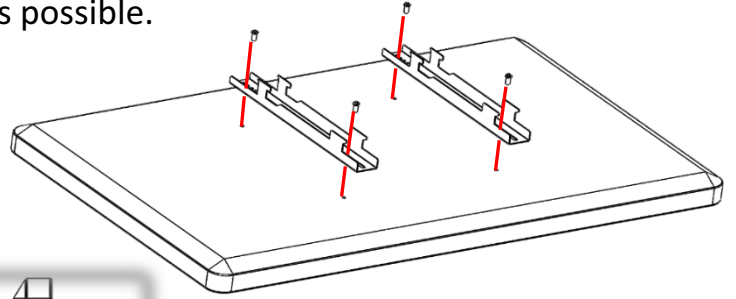
2. With the four brackets fixed to the wall move the heavy duty lift up to the brackets and check the alignment of the brackets with the columns. If the columns align with the brackets use the U-Shaped straps to secure the lift to the wall as shown in the diagram. Each strap should be secured with four M8 bolts.

Upper bracket should be mounted just below the collar of the column.

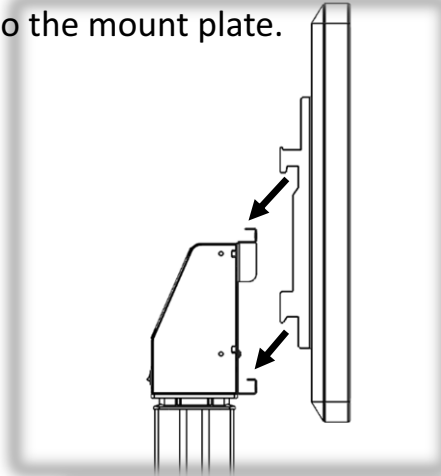
Lower bracket should be mounted down near the base of the column.



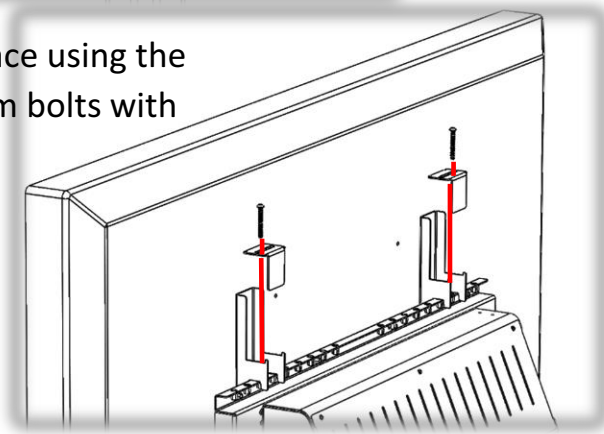
3. Attach the brackets to the back of the screen using the appropriate fixings, make sure the brackets are as central as possible.



4. Hook the screen onto the mount plate.



5. Secure the screen in place using the clips and two M6*50mm bolts with washers.



6. To access the integrated 4-way power strip in the headbox, unscrew the three fixings indicated and lift off the vanity cover.

