

## Heavy Duty Mono 500/600 – Trolley 8400 and 8401 -Lift Capacity 170kg -Screens 75 to 105"

**WARNING ! THIS IS NOT A TOY !**

**WARNING ! CHILDREN SHOULD NOT OPERATE LIFT OR HAVE ACCESS TO THE OPTIONAL REMOTE CONTROL !**

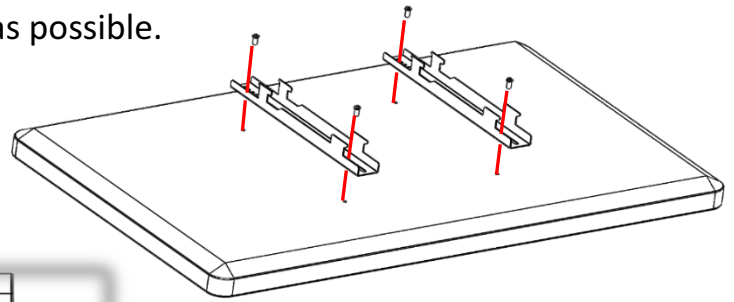
**WARNING ! THE LIFT MUST BE IN THE LOWEST POSITION WHEN MOVING IT AROUND!**

### Safety instructions

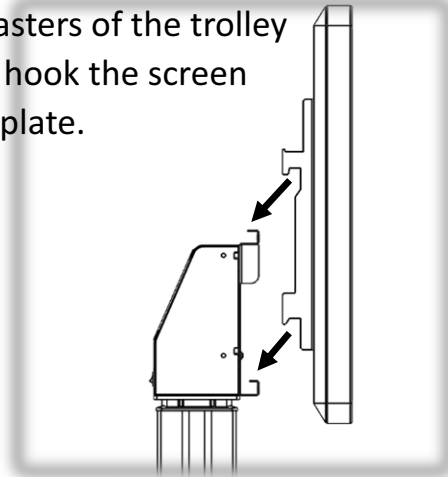
Use the following safety guidelines to help protect your lift from potential damage and to ensure your own personal safety.

- Read all the installation instructions before setting up or installing your lift.
- The area below moving parts of the lift and screen MUST be kept clear of obstructions.
- Keep the optional remote control out of reach of children.
- To prevent bodily injury, keep hands and clothing away from the lift while the lift is in operation.
- Before installing the lift or working with its connections, unplug the lift from the mains power supply socket.
- Do not place the lift in places subject to extreme temperatures for example near a radiator, or heating vent.
- The Electric lift must only be mounted in a dry area and it must be ensured before use that the lift is safe or protected from liquid contact or spillage.
- Unplug the lift IMMEDIATELY in the following conditions:
  - When the power cord or plug is damaged or frayed.
  - If liquid has spilled into the lift.
  - If the lift has been exposed to rain or water.
  - If the lift exhibits a distinct change in performance, indicating a need for servicing.
- MANUFACTURERS who build this Lift into other products or use it with other products, MUST make sure to prevent bodily injury. The MANUFACTURER is responsible to give the end user proper warnings and instructions for use.
- When adding a TV or any other equipment the party adding this TV or equipment is responsible for stability and security.
- The lift should only be used on a flat floor area.

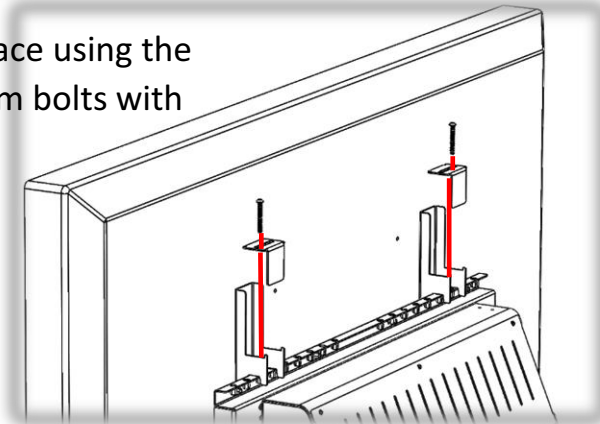
1. Attach the brackets to the back of the screen using the appropriate fixings, make sure the brackets are as central as possible.



2. Make sure the casters of the trolley are locked, then hook the screen onto the mount plate.



3. Secure the screen in place using the clips and two M6\*50mm bolts with washers.



4. To access the integrated 4-way power strip in the headbox, unscrew the three fixings indicated and lift off the vanity cover.

