

ActivPanel LX



DISPLAY

Screen Size and Resolution	65" 4K (3840 x 2160 @ 60 Hz) 75" 4K (3840 x 2160 @ 60 Hz) 86" 4K (3840 x 2160 @ 60 Hz)
Screen Type	TFT LCD (Direct LED Backlight)
Blue Light Reduction	Yes
Bonded Glass	Yes
Aspect Ratio	16:9
Display Area	65": 1431 x 805 mm (56.3 x 31.7 in) 75": 1652 x 930 mm (65 x 36.6 in) 86": 1897 x 1068 mm (74.7 x 42 in)
Display Colours	1.07 Billion (10-bit)
LCD Viewing Angle	178°
LCD Response Time	8 ms
LCD Refresh Rate (Panel)	60 Hz
LED Lifespan	50,000 hours
Contrast Ratio	5000:1 Dynamic 1200:1 Static
Brightness	350 cd/m2
Ambient Light Sensor	Yes
Glass Hardness	8H (pencil), 7 (Mohs)
Glass Type	Heat tempered, Anti-Glare
Glass Thickness	3.2 mm

INTERACTIVITY

Vellum Touch Technology	Yes
Continuous Touch Points	20
Touch Resolution	32768 x 32768 px
Response Time	10 ms
Touch Accuracy	1 mm
Tracking Rate	4 m/s
Scan Rate	200 Hz
Gestures and Edge Swipes	Windows® supported
Unique Pen IDs	1
Pen and Touch Differentiation	Yes
Palm Erase	Yes
Palm Rejection	Yes
Pens Included	Yes, 2
Pen Type	Battery-less pen
Pen Holder	Integrated full-length pen tray
Pen Tip Diameter	3 mm
Compatibility	Windows® 7 to 11; Mac OS® 10.8 to 10.11; macOS® Sierra 10.21.1 or later; Linux® Ubuntu 20.04 LTS; Chrome OS™

AUDIO

Dual Front-facing Speakers	2 x 10 W
-----------------------------------	----------

COMPUTING

Operating System	No OS
-------------------------	-------

CONNECTIVITY

OPS Slot	1
HDMI 2.0 (Front)	1
HDMI 2.0 (Rear)	2
USB-A 2.0 (Front)	1
USB-A 2.0 (Rear)	1
USB-B 2.0 Touch (Front)	1
USB-B 2.0 Touch (Rear)	1
USB-C 2.0 15 W Power Delivery (Front)	1
3 m Regional Power Cable	1
LAN In (10/100/1000)	1
LAN Out (10/100/1000)	1
VGA	1
Wake-on-LAN	Yes
Audio In (3.5 mm)	1
Audio Out (3.5 mm)	1
RS232	1

POWER

Power Requirements	100 V - 240 V AC
Power Consumption (Typical)	65": 106 W 75": 132 W 86": 175 W
Power Consumption (Standby)	<= 0.5 W
Ultra-Quiet Fanless Design	Yes

ENVIRONMENTAL

Operating Temperature	0 °C to 40 °C (32 °F to 104 °F)
Storage Temperature	-15 °C to 55 °C (-5 °F to 131 °F)
Operating Humidity	20% to 80% non-condensing humidity
Storage Humidity	20% to 90% non-condensing humidity

COMPLIANCE & CERTIFICATION

Regulatory Certifications	CE, FCC, IC, UL, CUL, CB, RCM
Energy Star Certified	65": Yes 75": Yes 86": No

ActivPanel LX

PHYSICAL SPECIFICATIONS

Panel Dimensions	65": 1482 x 899 x 110 mm (58.3 x 35.4 x 4.3 in) 75": 1716 x 1033 x 110 mm (67.6 x 40.7 x 4.3 in) 86": 1962 x 1171 x 110 mm (77.2 x 46.1 x 4.3 in)
Packed Dimensions	65": 1640 x 1010 x 185 mm (64.6 x 39.8 x 7.3 in) 75": 1860 x 1130 x 185 mm (73.2 x 44.5 x 7.3 in) 86": 2095 x 1270 x 185 mm (82.5 x 50 x 7.3 in)
Panel Net Weight	65": 36.6 kg (80.7 lb) 75": 50 kg (110.2 lb) 86": 63.4 kg (139.8 lb)
Packed Weight	65": 46.7 kg (103 lb) 75": 61.6 kg (135.8 lb) 86": 76.6 kg (168.9 lb)
VESA Mount Point	65": 600 x 400 mm (23.6 x 15.7 in) 75": 800 x 400 mm (31.5 x 15.7 in) 86": 800 x 600 mm (31.5 x 23.6 in)

EDUCATION SOFTWARE LICENCE

ActivInspire® Personal Single User	Included
---	----------

PACKED CONTENTS

What's in the Box	1 x ActivPanel LX 1 x 3 m HDMI Cable 1 x 3 m USB Cable (A-B) 1 x 2 m USB-C Cable 1 x 3 m Regional Power Cable 1 x Remote Control 2 x Batteries for Remote 2 x Pens 1 x Antistatic Bag 4 x Desiccant 4 x VESA Mount Screws (M6) 1 x Mini PC Bracket with Screws 1 x Quick Install Guide
--------------------------	--

INSTALLATION

The installation of this product should be completed by a qualified installer. Use of components not supplied by Promethean or not meeting minimum specifications may impact performance, safety and warranty. For more information, visit Support.PrometheanWorld.com.

WARRANTY

Warranty term and upgrade options vary by region. Contact your local reseller or distributor for information and visit PrometheanWorld.com/Warranty.

SUPPORT

For all Promethean products, visit Support.PrometheanWorld.com.

OPTIONAL ACCESSORIES & STANDS

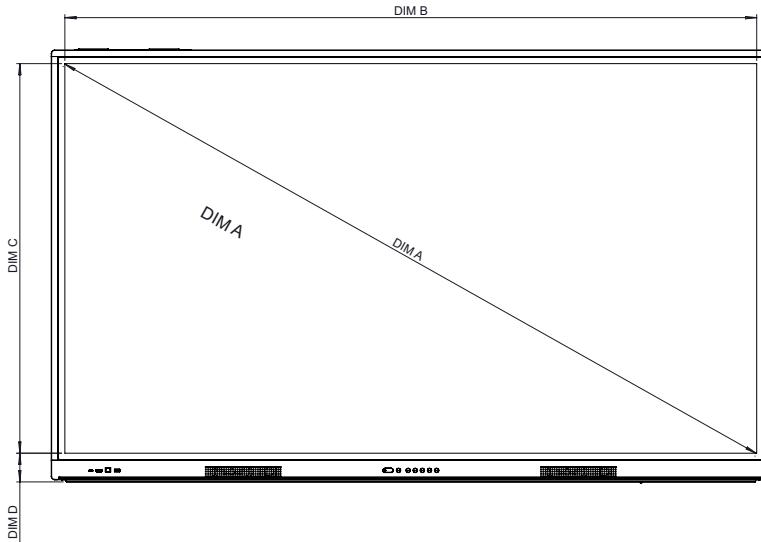
Promethean Chromebox	The Promethean Chromebox is the perfect solution for customers wishing to extend their existing Chrome OS ecosystem to the ActivPanel. It provides certified access to your preferred apps from the Google Play Store. Availability varies by region. See individual Specification Sheet for more details.
Promethean OPS-M (Windows)	For customers wishing to use the Microsoft ecosystem, the Promethean OPS-M creates an all-in-one, large-format Windows experience on the ActivPanel. Availability varies by region. See individual Specification Sheet for more details.
Promethean ActivSoundBar	The Promethean ActivSoundBar provides a powerful, high-quality sound option for the classroom. ActivSoundBar is the perfect addition to any Promethean Interactive Display, delivering crystal-clear, immersive sound. See individual Specification Sheet for more details.
Promethean Wall mount	Our fixed wall mount safely keeps your ActivPanel in one place and position for a more permanent display. Compatible with all sizes. See individual Specification Sheet for more details.
Versatile mounting solutions	Create the best solution for each classroom with the ActivPanel Stands. Choose from a fixed wall mount, height-adjustable wall mount, fixed-height mobile stand, and height-adjustable mobile stand. Availability varies by region. Compatible with all sizes. See individual Specification Sheets for more details.

ActivPanel LX

TECHNICAL DRAWINGS

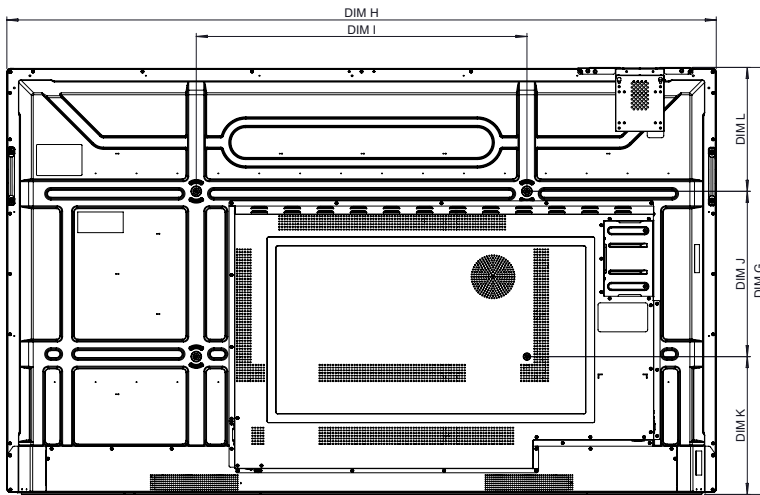
75"

Front



DIM	DIMENSION (mm)
A	1895
B	1652
C	930
D	68

Back



Side



DIM ID	DIMENSION
E	108
F	88
G	1033
H	1716
I	800
J	400
K	333
L	300

ActivPanel LX SS 05/23 v1.9 EN-INTL

©2023 Promethean. All Rights Reserved. Promethean, the Promethean logo, ActivPanel, ActivSync, ActivInspire, ActivConnect, ActivSoundBar ClassFlow and Vellum are trademarks or registered trademarks of Promethean Limited in the United Kingdom, United States, and other countries around the world. All other product and company names are trademarks or registered trademarks of their respective holders. Unless specifically identified as such, Promethean's use of third-party trademarks does not indicate any relationship, sponsorship, or endorsement between Promethean and the owners of these trademarks. Applicable Terms and Conditions for warranty and support available at [PrometheanWorld.com/Warranty](https://www.prometheanworld.com/warranty). All weights and dimensions are approximate. Product specifications are subject to change without notice. [PrometheanWorld.com](https://www.prometheanworld.com).

Promethean OPS-A



GENERAL SPECIFICATIONS

Device Type	Open Pluggable Specification (OPS)
Operating System	Android 12
CPU	ARM Cortex A55 x 4 (1.6 GHz)
GPU	ARM Mali-G52 MP1
RAM	4 GB LPDDR4
Internal Storage	32 GB eMMC PCIe M.2
Touchscreen Compatibility	Yes
TPM	2
Architecture	64 bit

CONNECTIVITY

USB-A 3.0	x2
USB-A 2.0 (OTG)	x1
Expandable Storage (MicroSD)	x1
Microphone (3.5 mm)	x1
Network (RJ45)	10/100/1000 Mbps
Wi-Fi	IEEE 802.11 a/b/g/n/ac/ax (dual band 2.4 GHz and 5 GHz)
Bluetooth	5.2

POWER

Power Requirements	12-19 V DC
Power Consumption Maximum	90 W
Power Consumption Standby	<= 0.5 W

ENVIRONMENTAL

Operating Temperature	0°C to 40°C (32°F to 104°F)
Storage Temperature	-20°C to 60°C (-4°F to 140°F)
Operating Humidity	10% to 95%
Storage Humidity	10% to 90%

PHYSICAL SPECIFICATIONS

Product Dimensions	200 x 120 x 30 mm (7.9 x 4.7 x 1.2 in)
Packed Dimensions	265 x 212 x 50 mm (10.4 x 8.4 x 2 in)
Net Weight	0.7 kg (1.5 lbs)
Packed Weight	0.84 kg (1.85 lb)

PACKED CONTENTS

What's in the Box	OPS-A x1, Antenna x2, Installation Guide x1
-------------------	---

COMPLIANCE & CERTIFICATION

Regulatory Certification	CB, CE, FCC, RCM, UL, RoHS
--------------------------	----------------------------

WARRANTY

Standard Warranty	3-Year Warranty. For more information, visit PrometheanWorld.com/Warranty .
-------------------	--

INSTALLATION

The installation of this product should be completed by a qualified installer. Use of components not supplied by Promethean or not meeting minimum specifications may impact performance, safety and warranty. For more information, visit [Support.PrometheanWorld.com](https://www.prometheanworld.com)

SUPPORT

For all Promethean products, visit [Support.PrometheanWorld.com](https://www.prometheanworld.com)

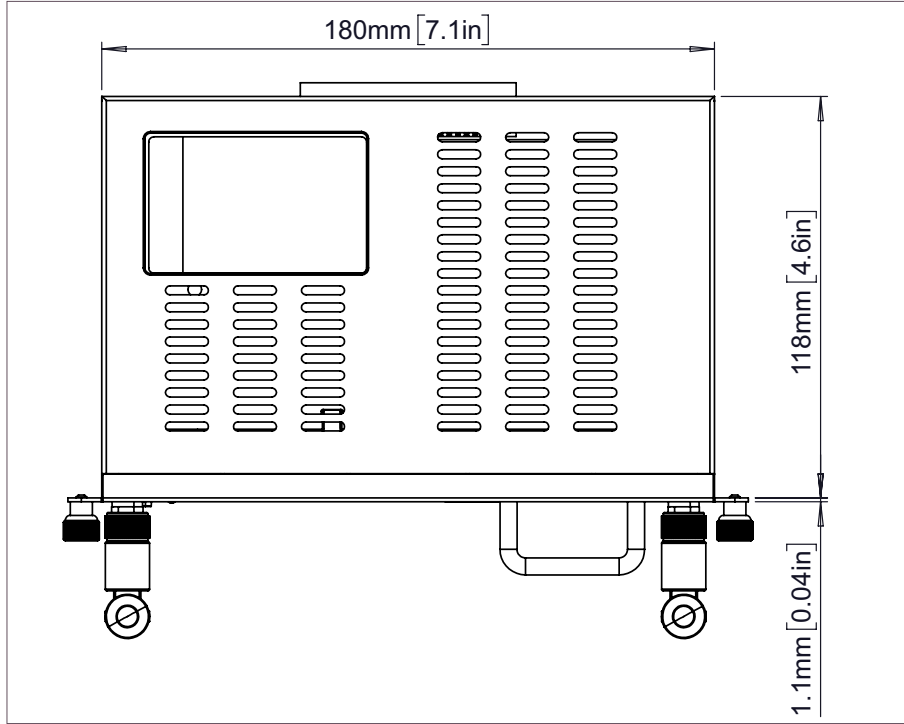
Promethean OPS-A 4GB 2023 SS 04/23 v1 EN-INTL

© 2023 Promethean Limited. All rights reserved. Promethean Ltd. is owner of a number of trademarks in several jurisdictions across the world including but not limited to Promethean, the Promethean logo, ActivPanel, Nickel, Cobalt, Titanium, Vellum, and ActivSoundBar. All third-party trademarks (including logos and icons) referenced by Promethean remain the property of their respective owners. Unless specifically identified as such, Promethean's use of third-party trademarks does not indicate any relationship, sponsorship, or endorsement between Promethean and the owners of these trademarks. Applicable Terms and Conditions for warranty and support available at [PrometheanWorld.com/Warranty](https://www.prometheanworld.com/Warranty). All weights and dimensions are approximate. Product specifications are subject to change without notice. [PrometheanWorld.com](https://www.prometheanworld.com).

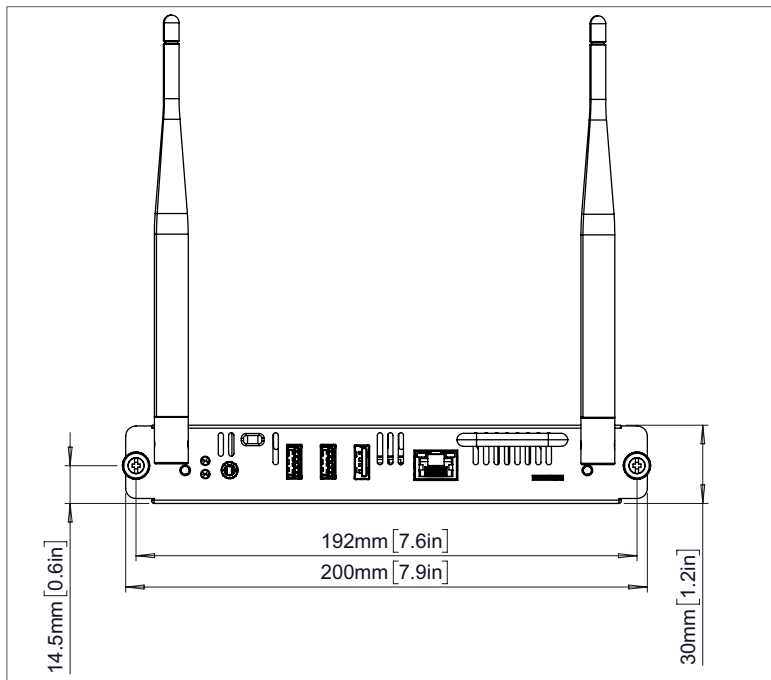
Promethean OPS-A

TECHNICAL DRAWINGS

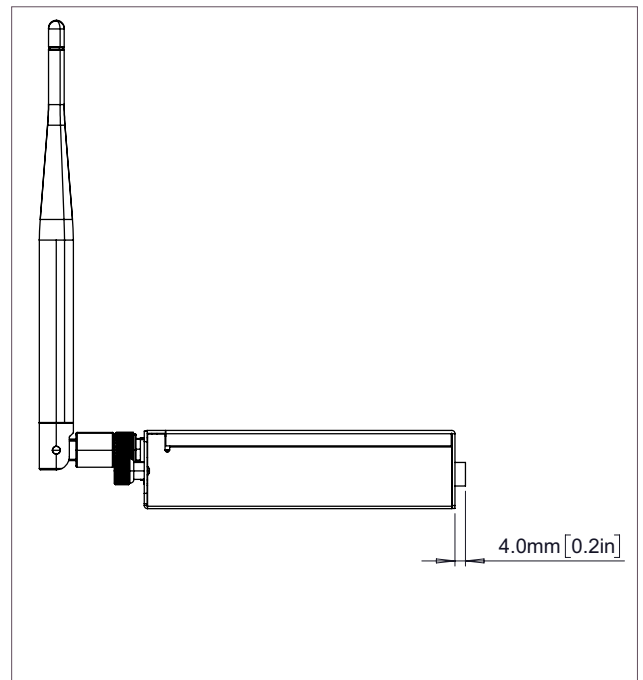
Top



Front



Side



Promethean OPS-A 4GB 2023 SS 04/23 v1 EN-INTL

© 2023 Promethean Limited. All rights reserved. Promethean Ltd. is owner of a number of trademarks in several jurisdictions across the world including but not limited to Promethean, the Promethean logo, ActivPanel, Nickel, Cobalt, Titanium, Vellum, and ActivSoundBar. All third-party trademarks (including logos and icons) referenced by Promethean remain the property of their respective owners. Unless specifically identified as such, Promethean's use of third-party trademarks does not indicate any relationship, sponsorship, or endorsement between Promethean and the owners of these trademarks. Applicable Terms and Conditions for warranty and support available at [PrometheanWorld.com/Warranty](https://www.PrometheanWorld.com/Warranty). All weights and dimensions are approximate. Product specifications are subject to change without notice. [PrometheanWorld.com](https://www.PrometheanWorld.com).