

# ActivPanel LX



## DISPLAY

<b>Screen Size and Resolution</b>	65" 4K (3840 x 2160 @ 60 Hz) 75" 4K (3840 x 2160 @ 60 Hz) 86" 4K (3840 x 2160 @ 60 Hz)
<b>Screen Type</b>	TFT LCD (Direct LED Backlight)
<b>Blue Light Reduction</b>	Yes
<b>Bonded Glass</b>	Yes
<b>Aspect Ratio</b>	16:9
<b>Display Area</b>	65": 1431 x 805 mm (56.3 x 31.7 in) 75": 1652 x 930 mm (65 x 36.6 in) 86": 1897 x 1068 mm (74.7 x 42 in)
<b>Display Colours</b>	1.07 Billion (10-bit)
<b>LCD Viewing Angle</b>	178°
<b>LCD Response Time</b>	8 ms
<b>LCD Refresh Rate (Panel)</b>	60 Hz
<b>LED Lifespan</b>	50,000 hours
<b>Contrast Ratio</b>	5000:1 Dynamic 1200:1 Static
<b>Brightness</b>	350 cd/m2
<b>Ambient Light Sensor</b>	Yes
<b>Glass Hardness</b>	8H (pencil), 7 (Mohs)
<b>Glass Type</b>	Heat tempered, Anti-Glare
<b>Glass Thickness</b>	3.2 mm

## INTERACTIVITY

<b>Vellum Touch Technology</b>	Yes
<b>Continuous Touch Points</b>	20
<b>Touch Resolution</b>	32768 x 32768 px
<b>Response Time</b>	10 ms
<b>Touch Accuracy</b>	1 mm
<b>Tracking Rate</b>	4 m/s
<b>Scan Rate</b>	200 Hz
<b>Gestures and Edge Swipes</b>	Windows® supported
<b>Unique Pen IDs</b>	1
<b>Pen and Touch Differentiation</b>	Yes
<b>Palm Erase</b>	Yes
<b>Palm Rejection</b>	Yes
<b>Pens Included</b>	Yes, 2
<b>Pen Type</b>	Battery-less pen
<b>Pen Holder</b>	Integrated full-length pen tray
<b>Pen Tip Diameter</b>	3 mm
<b>Compatibility</b>	Windows® 7 to 11; Mac OS® 10.8 to 10.11; macOS® Sierra 10.21.1 or later; Linux® Ubuntu 20.04 LTS; Chrome OS™

## AUDIO

<b>Dual Front-facing Speakers</b>	2 x 10 W
-----------------------------------	----------

## COMPUTING

<b>Operating System</b>	No OS
-------------------------	-------

## CONNECTIVITY

<b>OPS Slot</b>	1
<b>HDMI 2.0 (Front)</b>	1
<b>HDMI 2.0 (Rear)</b>	2
<b>USB-A 2.0 (Front)</b>	1
<b>USB-A 2.0 (Rear)</b>	1
<b>USB-B 2.0 Touch (Front)</b>	1
<b>USB-B 2.0 Touch (Rear)</b>	1
<b>USB-C 2.0 15 W Power Delivery (Front)</b>	1
<b>3 m Regional Power Cable</b>	1
<b>LAN In (10/100/1000)</b>	1
<b>LAN Out (10/100/1000)</b>	1
<b>VGA</b>	1
<b>Wake-on-LAN</b>	Yes
<b>Audio In (3.5 mm)</b>	1
<b>Audio Out (3.5 mm)</b>	1
<b>RS232</b>	1

## POWER

<b>Power Requirements</b>	100 V - 240 V AC
<b>Power Consumption (Typical)</b>	65": 106 W 75": 132 W 86": 175 W
<b>Power Consumption (Standby)</b>	<= 0.5 W
<b>Ultra-Quiet Fanless Design</b>	Yes

## ENVIRONMENTAL

<b>Operating Temperature</b>	0 °C to 40 °C (32 °F to 104 °F)
<b>Storage Temperature</b>	-15 °C to 55 °C (-5 °F to 131 °F)
<b>Operating Humidity</b>	20% to 80% non-condensing humidity
<b>Storage Humidity</b>	20% to 90% non-condensing humidity

## COMPLIANCE & CERTIFICATION

<b>Regulatory Certifications</b>	CE, FCC, IC, UL, CUL, CB, RCM
<b>Energy Star Certified</b>	65": Yes 75": Yes 86": No

# ActivPanel LX

## PHYSICAL SPECIFICATIONS

<b>Panel Dimensions</b>	65": 1482 x 899 x 110 mm (58.3 x 35.4 x 4.3 in) 75": 1716 x 1033 x 110 mm (67.6 x 40.7 x 4.3 in) 86": 1962 x 1171 x 110 mm (77.2 x 46.1 x 4.3 in)
<b>Packed Dimensions</b>	65": 1640 x 1010 x 185 mm (64.6 x 39.8 x 7.3 in) 75": 1860 x 1130 x 185 mm (73.2 x 44.5 x 7.3 in) 86": 2095 x 1270 x 185 mm (82.5 x 50 x 7.3 in)
<b>Panel Net Weight</b>	65": 36.6 kg (80.7 lb) 75": 50 kg (110.2 lb) 86": 63.4 kg (139.8 lb)
<b>Packed Weight</b>	65": 46.7 kg (103 lb) 75": 61.6 kg (135.8 lb) 86": 76.6 kg (168.9 lb)
<b>VESA Mount Point</b>	65": 600 x 400 mm (23.6 x 15.7 in) 75": 800 x 400 mm (31.5 x 15.7 in) 86": 800 x 600 mm (31.5 x 23.6 in)

## EDUCATION SOFTWARE LICENCE

<b>ActivInspire® Personal Single User</b>	Included
---	----------

## PACKED CONTENTS

<b>What's in the Box</b>	1 x ActivPanel LX 1 x 3 m HDMI Cable 1 x 3 m USB Cable (A-B) 1 x 2 m USB-C Cable 1 x 3 m Regional Power Cable 1 x Remote Control 2 x Batteries for Remote 2 x Pens 1 x Antistatic Bag 4 x Desiccant 4 x VESA Mount Screws (M6) 1 x Mini PC Bracket with Screws 1 x Quick Install Guide
--------------------------	--

## INSTALLATION

The installation of this product should be completed by a qualified installer. Use of components not supplied by Promethean or not meeting minimum specifications may impact performance, safety and warranty. For more information, visit [Support.PrometheanWorld.com](http://Support.PrometheanWorld.com).

## WARRANTY

Warranty term and upgrade options vary by region. Contact your local reseller or distributor for information and visit [PrometheanWorld.com/Warranty](http://PrometheanWorld.com/Warranty).

## SUPPORT

For all Promethean products, visit [Support.PrometheanWorld.com](http://Support.PrometheanWorld.com).

## OPTIONAL ACCESSORIES & STANDS

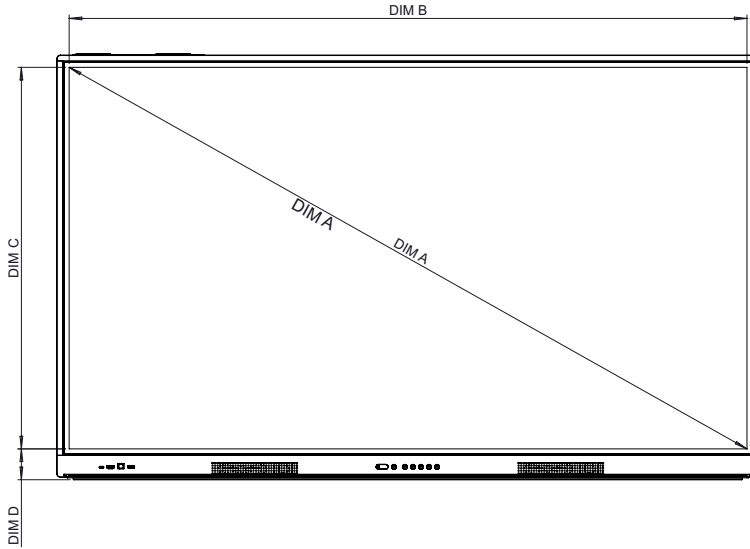
<b>Promethean Chromebox</b>	The Promethean Chromebox is the perfect solution for customers wishing to extend their existing Chrome OS ecosystem to the ActivPanel. It provides certified access to your preferred apps from the Google Play Store. Availability varies by region. See individual Specification Sheet for more details.
<b>Promethean OPS-M (Windows)</b>	For customers wishing to use the Microsoft ecosystem, the Promethean OPS-M creates an all-in-one, large-format Windows experience on the ActivPanel. Availability varies by region. See individual Specification Sheet for more details.
<b>Promethean ActivSoundBar</b>	The Promethean ActivSoundBar provides a powerful, high-quality sound option for the classroom. ActivSoundBar is the perfect addition to any Promethean Interactive Display, delivering crystal-clear, immersive sound. See individual Specification Sheet for more details.
<b>Promethean Wall mount</b>	Our fixed wall mount safely keeps your ActivPanel in one place and position for a more permanent display. Compatible with all sizes. See individual Specification Sheet for more details.
<b>Versatile mounting solutions</b>	Create the best solution for each classroom with the ActivPanel Stands. Choose from a fixed wall mount, height-adjustable wall mount, fixed-height mobile stand, and height-adjustable mobile stand. Availability varies by region. Compatible with all sizes. See individual Specification Sheets for more details.

# ActivPanel LX

## TECHNICAL DRAWINGS

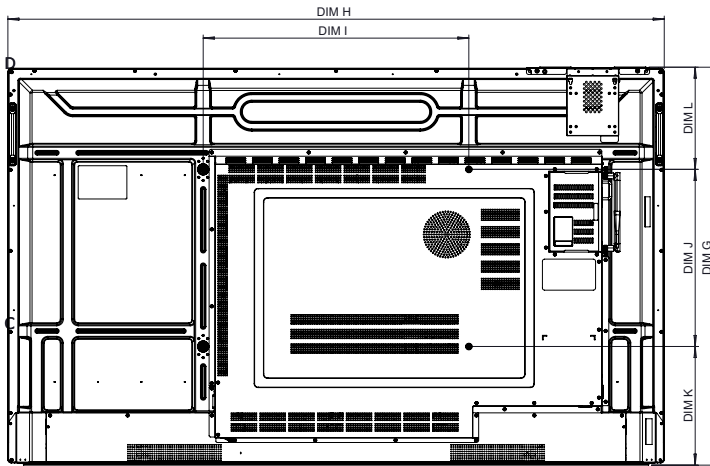
65"

Front

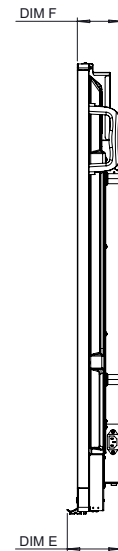


DIM	DIMENSION (mm)
A	1642
B	1431
C	805
D	65

Back



Side



DIM ID	DIMENSION
E	108
F	88
G	899
H	1482
I	600
J	400
K	268
L	231

ActivPanel LX SS 05/23 v1.9 EN-INTL

©2023 Promethean. All Rights Reserved. Promethean, the Promethean logo, ActivPanel, ActivSync, ActivInspire, ActivConnect, ActivSoundBar ClassFlow and Vellum are trademarks or registered trademarks of Promethean Limited in the United Kingdom, United States, and other countries around the world. All other product and company names are trademarks or registered trademarks of their respective holders. Unless specifically identified as such, Promethean's use of third-party trademarks does not indicate any relationship, sponsorship, or endorsement between Promethean and the owners of these trademarks. Applicable Terms and Conditions for warranty and support available at [PrometheanWorld.com/Warranty](https://www.PrometheanWorld.com/Warranty). All weights and dimensions are approximate. Product specifications are subject to change without notice. [PrometheanWorld.com](https://www.PrometheanWorld.com).

# Promethean OPS-A



## GENERAL SPECIFICATIONS

Device Type	Open Pluggable Specification (OPS)
Operating System	Android 12
CPU	ARM Cortex A55 x 4 (1.6 GHz)
GPU	ARM Mali-G52 MP1
RAM	4 GB LPDDR4
Internal Storage	32 GB eMMC PCIe M.2
Touchscreen Compatibility	Yes
TPM	2
Architecture	64 bit

## CONNECTIVITY

USB-A 3.0	x2
USB-A 2.0 (OTG)	x1
Expandable Storage (MicroSD)	x1
Microphone (3.5 mm)	x1
Network (RJ45)	10/100/1000 Mbps
Wi-Fi	IEEE 802.11 a/b/g/n/ac/ax (dual band 2.4 GHz and 5 GHz)
Bluetooth	5.2

## POWER

Power Requirements	12-19 V DC
Power Consumption Maximum	90 W
Power Consumption Standby	<= 0.5 W

## ENVIRONMENTAL

Operating Temperature	0°C to 40°C (32°F to 104°F)
Storage Temperature	-20°C to 60°C (-4°F to 140°F)
Operating Humidity	10% to 95%
Storage Humidity	10% to 90%

## PHYSICAL SPECIFICATIONS

Product Dimensions	200 x 120 x 30 mm (7.9 x 4.7 x 1.2 in)
Packed Dimensions	265 x 212 x 50 mm (10.4 x 8.4 x 2 in)
Net Weight	0.7 kg (1.5 lbs)
Packed Weight	0.84 kg (1.85 lb)

## PACKED CONTENTS

What's in the Box	OPS-A x1, Antenna x2, Installation Guide x1
-------------------	---

## COMPLIANCE & CERTIFICATION

Regulatory Certification	CB, CE, FCC, RCM, UL, RoHS
--------------------------	----------------------------

## WARRANTY

Standard Warranty	3-Year Warranty. For more information, visit <a href="https://www.PrometheanWorld.com/Warranty">PrometheanWorld.com/Warranty</a> .
-------------------	--

## INSTALLATION

The installation of this product should be completed by a qualified installer. Use of components not supplied by Promethean or not meeting minimum specifications may impact performance, safety and warranty. For more information, visit [Support.PrometheanWorld.com](https://www.Support.PrometheanWorld.com)

## SUPPORT

For all Promethean products, visit [Support.PrometheanWorld.com](https://www.Support.PrometheanWorld.com)

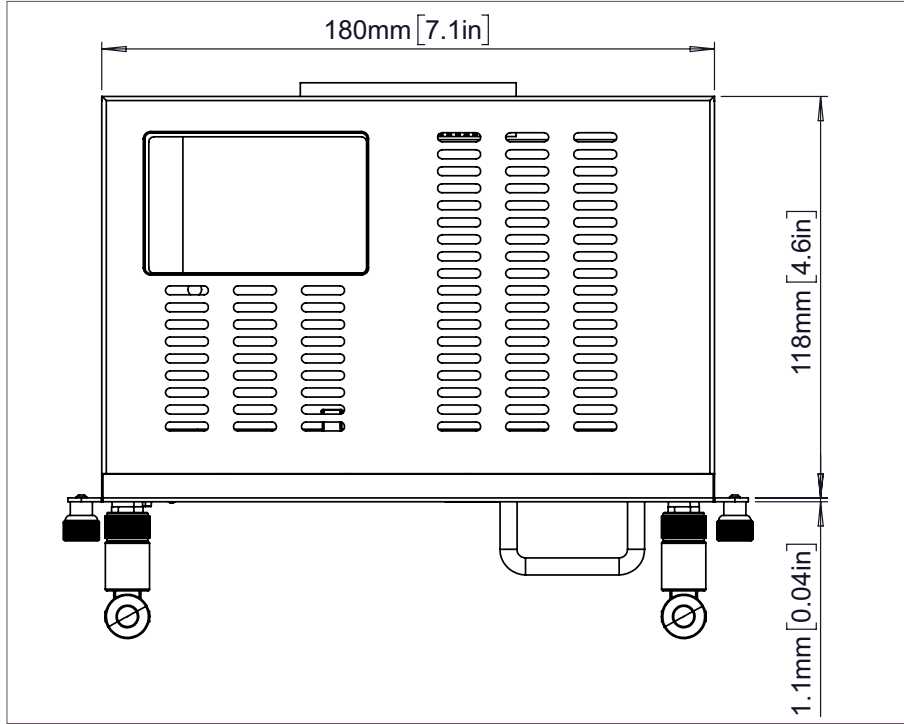
Promethean OPS-A 4GB 2023 SS 04/23 v1 EN-INTL

© 2023 Promethean Limited. All rights reserved. Promethean Ltd. is owner of a number of trademarks in several jurisdictions across the world including but not limited to Promethean, the Promethean logo, ActivPanel, Nickel, Cobalt, Titanium, Vellum, and ActivSoundBar. All third-party trademarks (including logos and icons) referenced by Promethean remain the property of their respective owners. Unless specifically identified as such, Promethean's use of third-party trademarks does not indicate any relationship, sponsorship, or endorsement between Promethean and the owners of these trademarks. Applicable Terms and Conditions for warranty and support available at [PrometheanWorld.com/Warranty](https://www.PrometheanWorld.com/Warranty). All weights and dimensions are approximate. Product specifications are subject to change without notice. [PrometheanWorld.com](https://www.PrometheanWorld.com).

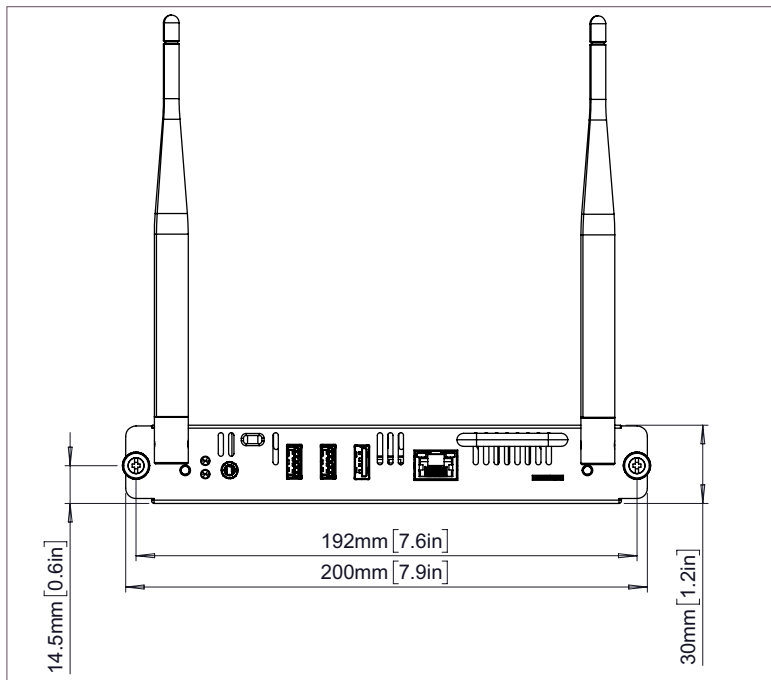
# Promethean OPS-A

## TECHNICAL DRAWINGS

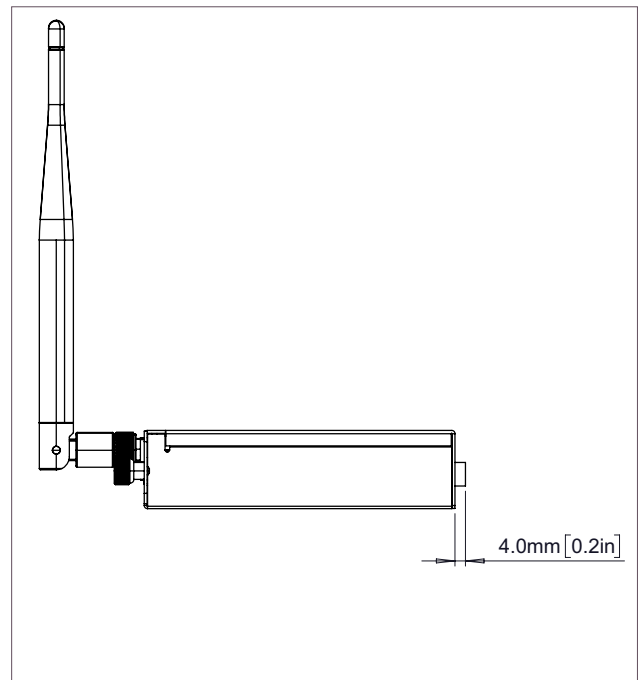
Top



Front



Side



Promethean OPS-A 4GB 2023 SS 04/23 v1 EN-INTL

© 2023 Promethean Limited. All rights reserved. Promethean Ltd. is owner of a number of trademarks in several jurisdictions across the world including but not limited to Promethean, the Promethean logo, ActivPanel, Nickel, Cobalt, Titanium, Vellum, and ActivSoundBar. All third-party trademarks (including logos and icons) referenced by Promethean remain the property of their respective owners. Unless specifically identified as such, Promethean's use of third-party trademarks does not indicate any relationship, sponsorship, or endorsement between Promethean and the owners of these trademarks. Applicable Terms and Conditions for warranty and support available at [PrometheanWorld.com/Warranty](https://www.PrometheanWorld.com/Warranty). All weights and dimensions are approximate. Product specifications are subject to change without notice. [PrometheanWorld.com](https://www.PrometheanWorld.com).