

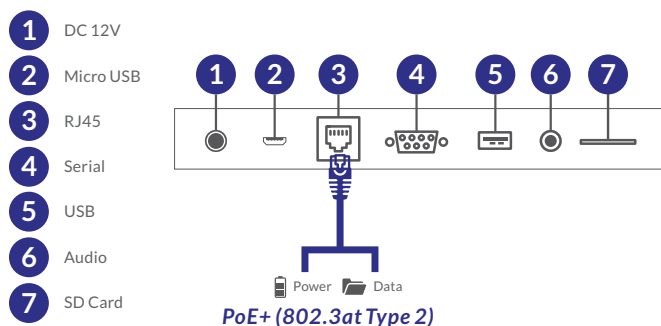
# 15" POS Android Advertising Displays



Tablet-sized commercial displays for retail shelf edge and point of sale applications

## Power Over Ethernet (PoE)

Power your screen by using the power cable provided or supply the power over an Ethernet cable. This minimises the number of cables needed for installation as you can supply power and internet connectivity to the screen simultaneously.



## Stylish Enclosure

The modern enclosure is crafted from moulded polymer for ultimate aesthetics. With it's fingerprint resistant matte black finish and rounded corners the screen can fit seamlessly in many environments such as corporate offices or retail spaces.



Android Media Player



Headphone Output



Integrated Microphone



No Integrated Battery



Integrated VESA Mounting Holes



Free Security Wall Mount



Power Timer



Extend Memory with SD Card

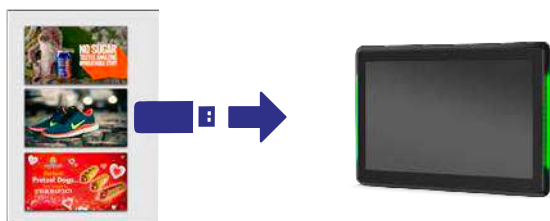


White Version Available

## Other Features

### Plug and Play

Plug and Play is the most straightforward way to upload content to the screen. Simply load images and videos onto a USB stick, insert into the display, wait for your content to copy over and then remove. Your images and videos will now play in a continuous loop.



### 24/7 Commercial Use

These displays use a commercial grade LCD panel and LED backlight. They have the ability to be in constant use 24/7 for over 70,000 hours and have no external buttons or controls to avoid tampering.



### No Integrated Battery

Unlike domestic tablets these displays do not have built-in batteries and therefore last considerably longer. They are designed to be used constantly 24/7 in public spaces and can be powered directly from the mains or over PoE.



### VESA Mounting Holes

Unlike domestic tablets these displays have an integrated and secure screw based mounting solution on the rear for easy wall or stand installation.

100 x100  
VESA



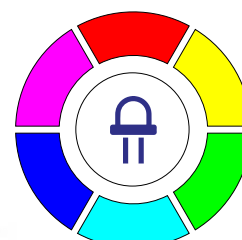
### Integrated Camera

If the software you are using requires a camera you can use the screen's integrated front facing 2 megapixel camera.



### Multi Coloured LED Frame

The LED edges either side of the display can be red, green, blue, magenta, cyan, yellow and white. They can also be disabled completely if preferred.



Available in 7  
Colours

### Power Timer

The eco-friendly power timer allows you to assign daily or weekly on and off times for your screen meaning that it is only in use when it needs to be; improving your environmental efficiency.



### Optional NFC Integration

For projects that require Near Field Communication an internal module can be implemented for even more interactivity and engagement.



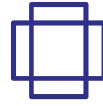
# Key Features



PLUG AND PLAY



INTEGRATED CAMERA



LANDSCAPE OR PORTRAIT ORIENTATION



ANDROID MEDIA PLAYER



INTEGRATED SPEAKERS



INTEGRATED MICROPHONE



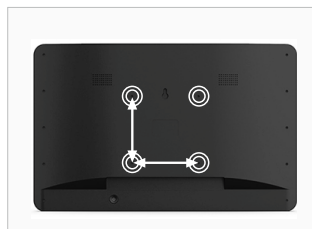
HEADPHONE OUTPUT



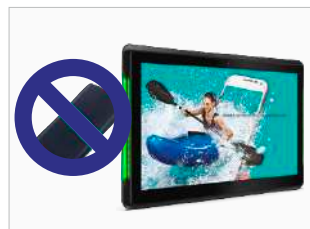
MULTI-COLOUR LED FRAME



POWER OVER ETHERNET



VESA MOUNTING HOLES



NO INTEGRATED BATTERY



STYLISH ENCLOSURE



## Specification Table

|               |                                 | 15 Inch   |
|---------------|---------------------------------|---|
| Panel         | Resolution                      | 1920x1080   |
|               | Display Area (mm)               | 345x194   |
|               | Aspect Ratio                    | 16:9  |
|               | Brightness (cd/m <sup>2</sup> ) | 250   |
|               | Colour                          | 16.7M   |
|               | Colour Depth                    | 8 Bit   |
|               | Viewing Angle                   | 178°  |
|               | Contrast Ratio                  | 800:1   |
| Audio         | Speaker Type                    | 2x1.5W  |
| AV Ports      | Inputs                          | Micro USB, 1x USB 3.0, 1x USB 2.0   |
|               | Outputs                         | Audio Socket (3.5mm)  |
| Power         | Power Consumption (W)           | 13.5  |
|               | Input Voltage                   | 12V/2A  |
|               | PoE Mode                        | PoE+ (802.3at Type 2)   |
| Mechanical    | Unit Size (WxHxD mm)            | 401.8x252.9x30.2  |
|               | Package Size (WxHxD mm)         | 493x303x70  |
|               | VESA Holes (mm)                 | 100x100   |
|               | Net Weight (kg)                 | 1.4   |
|               | Gross Weight (kg)               | 2.25  |
| Environmental | Operating Temperature           | 0 °C to 50 °C   |
|               | Storage Temperature             | -30°C to 60°C   |
|               | Operating Humidity              | 10% to 80%  |
|               | Storage Humidity                | 5% to 95%   |
| Computer      | Media Formats                   | Video (MPG, AVI, MP4, RM, RMVB, TS), Audio (MP3, WMA), Image (JPG, GIF, BMP, PNG) |
|               | Media Resolution                | 1920x1080/1080x1920   |
|               | CPU                             | Quad-core Cortex-A17 1.8GHz, RockChip RK3288                                      |
|               | GPU                             | Mali-T764   |
|               | RAM                             | 2GB   |
|               | Internal Storage                | 8GB   |
|               | Storage Extension               | SD Card   |
|               | USB                             | USB3.0 HOST x1  |
|               | Wi-Fi                           | 802.11b/g/n   |
|               | LAN                             | 100M/1000M  |
|               | Bluetooth                       | Bluetooth 4.0   |
|               | OS                              | Android 8.1   |
|               | Graphic Engine                  | OpenGL ES 1.1/2.0   |
|               | Accessories                     | Included  |
| Optional      |                                 | Network Upgrade, PCAP Touch Screen Upgrade, Table Stand, Near Field Communication |
| Warranty      | Warranty Period                 | 3 Year Warranty   |
|               | Technical Support               | Lifetime  |

Errors and omissions excepted



# Technical Drawing

